



Competitive Solicitation by
Region 14 Education Service Center
For
UV-C Stationary and Autonomous Indoor Air
Cleaning Systems and Services

On behalf of itself and other Government Agencies

And made available through the
National Cooperative Purchasing Alliance

RFP # 04-21



Tab 1 - Master Agreement

General Terms and Conditions

- ◆ Customer Support
 - The vendor shall provide timely and accurate technical advice and sales support. The vendor shall respond to such requests within one (1) working day after receipt of the request.

- ◆ Disclosures
 - Respondent affirms that he/she has not given, offered to give, nor intends to give at any time hereafter any economic opportunity, future employment, gift, loan, gratuity, special discount, trip, favor or service to a public servant in connection with this contract.
 - The respondent affirms that, to the best of his/her knowledge, the offer has been arrived at independently, and is submitted without collusion with anyone to obtain information or gain any favoritism that would in any way limit competition or give an unfair advantage over other vendors in the award of this contract.

- ◆ Renewal of Contract
 - Unless otherwise stated, all contracts are for a period of three (3) years with an option to renew for up to two (2) additional one-year terms or any combination of time equally not more than 2 years if agreed to by Region 14 ESC and the vendor.

- ◆ Funding Out Clause
 - Any/all contracts exceeding one (1) year shall include a standard "funding out" clause. A contract for the acquisition, including lease, of real or personal property is a commitment of the entity's current revenue only, provided the contract contains either or both of the following provisions:
 - Retains to the entity the continuing right to terminate the contract at the expiration of each budget period during the term of the contract and is conditioned on a best efforts attempt by the entity to obtain appropriate funds for payment of the contract.

- ◆ Shipments (if applicable)
 - The awarded vendor shall ship ordered products within seven (7) working days for goods available and within four (4) to six (6) weeks for specialty items after the receipt of the order unless modified. If a product cannot be shipped within that time, the awarded vendor shall notify the entity placing the order as to why the product has not shipped and shall provide an estimated shipping date. At this point the participating entity may cancel the order if estimated shipping time is not acceptable.

- ◆ Tax Exempt Status
 - Since this is a national contract, knowing the tax laws in each state is the sole responsibility of the vendor.

◆ Payments

- The entity using the contract will make payments directly to the awarded vendor or their affiliates (distributors/business partners/resellers) as long as written request and approval by NCPA is provided to the awarded vendor.

◆ Adding authorized distributors/dealers

- Awarded vendors may submit a list of distributors/partners/resellers to sell under their contract throughout the life of the contract. Vendor must receive written approval from NCPA before such distributors/partners/resellers considered authorized.
- Purchase orders and payment can only be made to awarded vendor or distributors/business partners/resellers previously approved by NCPA.
- Pricing provided to members by added distributors or dealers must also be less than or equal to the pricing offered by the awarded contract holder.
- All distributors/partners/resellers are required to abide by the Terms and Conditions of the vendor's agreement with NCPA.

◆ Pricing

- All pricing submitted shall include the administrative fee to be remitted to NCPA by the awarded vendor. It is the awarded vendor's responsibility to keep all pricing up to date and on file with NCPA.
- All deliveries shall be freight prepaid, F.O.B. destination and shall be included in all pricing offered unless otherwise clearly stated in writing

◆ Warranty

- Proposals should address each of the following:
 - Applicable warranty and/or guarantees of equipment and installations including any conditions and response time for repair and/or replacement of any components during the warranty period.
 - Availability of replacement parts
 - Life expectancy of equipment under normal use
 - Detailed information as to proposed return policy on all equipment

◆ Indemnity

- The awarded vendor shall protect, indemnify, and hold harmless Region 14 ESC and its participants, administrators, employees and agents against all claims, damages, losses and expenses arising out of or resulting from the actions of the vendor, vendor employees or vendor subcontractors in the preparation of the solicitation and the later execution of the contract.

◆ Franchise Tax

- The respondent hereby certifies that he/she is not currently delinquent in the payment of any franchise taxes.

◆ Supplemental Agreements

- The entity participating in this contract and awarded vendor may enter into a separate supplemental agreement to further define the level of service requirements over and above the minimum defined in this contract i.e. invoice requirements, ordering requirements, specialized delivery, etc. Any supplemental agreement developed as a result of this contract is exclusively between the participating entity and awarded vendor.

◆ Certificates of Insurance

- Certificates of insurance shall be delivered to the Public Agency prior to commencement of work. The insurance company shall be licensed in the applicable state in which work is being conducted. The awarded vendor shall give the participating entity a minimum of ten (10) days notice prior to any modifications or cancellation of policies. The awarded vendor shall require all subcontractors performing any work to maintain coverage as specified.

◆ Legal Obligations

- It is the Respondent's responsibility to be aware of and comply with all local, state, and federal laws governing the sale of products/services identified in this RFP and any awarded contract and shall comply with all while fulfilling the RFP. Applicable laws and regulation must be followed even if not specifically identified herein.

◆ Protest

- A protest of an award or proposed award must be filed in writing within ten (10) days from the date of the official award notification and must be received by 5:00 pm CST. Protests shall be filed with Region 14 ESC and shall include the following:
 - Name, address and telephone number of protester
 - Original signature of protester or its representative
 - Identification of the solicitation by RFP number
 - Detailed statement of legal and factual grounds including copies of relevant documents and the form of relief requested
- Any protest review and action shall be considered final with no further formalities being considered.

◆ Force Majeure

- If by reason of Force Majeure, either party hereto shall be rendered unable wholly or in part to carry out its obligations under this Agreement then such party shall give notice and full particulars of Force Majeure in writing to the other party within a reasonable time after occurrence of the event or cause relied upon, and the obligation of the party giving such notice, so far as it is affected by such Force Majeure, shall be suspended during the continuance of the inability then claimed, except as hereinafter provided, but for no longer period, and such party shall endeavor to remove or overcome such inability with all reasonable dispatch.
- The term Force Majeure as employed herein, shall mean acts of God, strikes, lockouts, or other industrial disturbances, act of public enemy, orders of any kind of government of the

United States or any civil or military authority; insurrections; riots; epidemics; landslides; lighting; earthquake; fires; hurricanes; storms; floods; washouts; droughts; arrests; restraint of government and people; civil disturbances; explosions, breakage or accidents to machinery, pipelines or canals, or other causes not reasonably within the control of the party claiming such inability. It is understood and agreed that the settlement of strikes and lockouts shall be entirely within the discretion of the party having the difficulty, and that the above requirement that any Force Majeure shall be remedied with all reasonable dispatch shall not require the settlement of strikes and lockouts by acceding to the demands of the opposing party or parties when such settlement is unfavorable in the judgment of the party having the difficulty

◆ Prevailing Wage

- It shall be the responsibility of the Vendor to comply, when applicable, with the prevailing wage legislation in effect in the jurisdiction of the purchaser. It shall further be the responsibility of the Vendor to monitor the prevailing wage rates as established by the appropriate department of labor for any increase in rates during the term of this contract and adjust wage rates accordingly.

◆ Miscellaneous

- Either party may cancel this contract in whole or in part by providing written notice. The cancellation will take effect 30 business days after the other party receives the notice of cancellation. After the 30th business day all work will cease following completion of final purchase order.

◆ Open Records Policy

- Because Region 14 ESC is a governmental entity responses submitted are subject to release as public information after contracts are executed. If a vendor believes that its response, or parts of its response, may be exempted from disclosure, the vendor must specify page-by-page and line-by-line the parts of the response, which it believes, are exempt. In addition, the respondent must specify which exception(s) are applicable and provide detailed reasons to substantiate the exception(s).
- The determination of whether information is confidential and not subject to disclosure is the duty of the Office of Attorney General (OAG). Region 14 ESC must provide the OAG sufficient information to render an opinion and therefore, vague and general claims to confidentiality by the respondent are not acceptable. Region 14 ESC must comply with the opinions of the OAG. Region 14 ESC assumes no responsibility for asserting legal arguments on behalf of any vendor. Respondent are advised to consult with their legal counsel concerning disclosure issues resulting from this procurement process and to take precautions to safeguard trade secrets and other proprietary information.

Process

Region 14 ESC will evaluate proposals in accordance with, and subject to, the relevant statutes, ordinances, rules, and regulations that govern its procurement practices. NCPA will assist Region 14 ESC in evaluating proposals. Award(s) will be made to the prospective vendor whose response is determined to be the most advantageous to Region 14 ESC, NCPA, and its participating agencies. To qualify for evaluation, response must have been submitted on time, and satisfy all mandatory requirements identified in this document.

- ◆ **Contract Administration**
 - The contract will be administered by Region 14 ESC. The National Program will be administered by NCPA on behalf of Region 14 ESC.
- ◆ **Contract Term**
 - The contract term will be for three (3) year starting from the date of the award. The contract may be renewed for up to two (2) additional one-year terms or any combination of time equally not more than 2 years.
 - It should be noted that maintenance/service agreements may be issued for up to (5) years under this contract even if the contract only lasts for the initial term of the contract. NCPA will monitor any maintenance agreements for the term of the agreement provided they are signed prior to the termination or expiration of this contract.
- ◆ **Contract Waiver**
 - Any waiver of any provision of this contract shall be in writing and shall be signed by the duly authorized agent of Region 14 ESC. The waiver by either party of any term or condition of this contract shall not be deemed to constitute waiver thereof nor a waiver of any further or additional right that such party may hold under this contract.
- ◆ **Products and Services additions**
 - Products and Services may be added to the resulting contract during the term of the contract by written amendment, to the extent that those products and services are within the scope of this RFP.
- ◆ **Competitive Range**
 - It may be necessary for Region 14 ESC to establish a competitive range. Responses not in the competitive range are unacceptable and do not receive further award consideration.
- ◆ **Deviations and Exceptions**
 - Deviations or exceptions stipulated in response may result in disqualification. It is the intent of Region 14 ESC to award a vendor's complete line of products and/or services, when possible.
- ◆ **Estimated Quantities**
 - The estimated dollar volume of Products and Services purchased under the proposed Master Agreement is \$50 million dollars annually. This estimate is based on the anticipated volume of Region 14 ESC and current sales within the NCPA program. There is no guarantee or commitment of any kind regarding usage of any contracts resulting from this solicitation

- ◆ Evaluation
 - Region 14 ESC will review and evaluate all responses in accordance with, and subject to, the relevant statutes, ordinances, rules and regulations that govern its procurement practices. NCPA will assist the lead agency in evaluating proposals. Recommendations for contract awards will be based on multiple factors, each factor being assigned a point value based on its importance.
- ◆ Formation of Contract
 - A response to this solicitation is an offer to contract with Region 14 ESC based upon the terms, conditions, scope of work, and specifications contained in this request. A solicitation does not become a contract until it is accepted by Region 14 ESC. The prospective vendor must submit a signed Signature Form with the response thus, eliminating the need for a formal signing process.
- ◆ NCPA Administrative Agreement
 - The vendor will be required to enter and execute the National Cooperative Purchasing Alliance Administration Agreement with NCPA upon award with Region 14 ESC. The agreement establishes the requirements of the vendor with respect to a nationwide contract effort.
- ◆ Clarifications / Discussions
 - Region 14 ESC may request additional information or clarification from any of the respondents after review of the proposals received for the sole purpose of elimination minor irregularities, informalities, or apparent clerical mistakes in the proposal. Clarification does not give respondent an opportunity to revise or modify its proposal, except to the extent that correction of apparent clerical mistakes results in a revision. After the initial receipt of proposals, Region 14 ESC reserves the right to conduct discussions with those respondent's whose proposals are determined to be reasonably susceptible of being selected for award. Discussions occur when oral or written communications between Region 14 ESC and respondent's are conducted for the purpose clarifications involving information essential for determining the acceptability of a proposal or that provides respondent an opportunity to revise or modify its proposal. Region 14 ESC will not assist respondent bring its proposal up to the level of other proposals through discussions. Region 14 ESC will not indicate to respondent a cost or price that it must meet to neither obtain further consideration nor will it provide any information about other respondents' proposals or prices.
- ◆ Multiple Awards
 - Multiple Contracts may be awarded as a result of the solicitation. Multiple Awards will ensure that any ensuing contracts fulfill current and future requirements of the diverse and large number of participating public agencies.
- ◆ Past Performance
 - Past performance is relevant information regarding a vendor's actions under previously awarded contracts; including the administrative aspects of performance; the vendor's history of reasonable and cooperative behavior and commitment to customer satisfaction; and generally, the vendor's businesslike concern for the interests of the customer.

Evaluation Criteria

- ◆ Pricing (40 points)
 - Electronic Price Lists
 - Products, Services, Warranties, etc. price list
 - Prices listed will be used to establish both the extent of a vendor's product lines, services, warranties, etc. available from a particular bidder and the pricing per item.

- ◆ Ability to Provide and Perform the Required Services for the Contract (25 points)
 - Product Delivery within participating entities specified parameters
 - Number of line items delivered complete within the normal delivery time as a percentage of line items ordered.
 - Vendor's ability to perform towards above requirements and desired specifications.
 - Past Cooperative Program Performance
 - Quantity of line items available that are commonly purchased by the entity.
 - Quality of line items available compared to normal participating entity standards.

- ◆ References (15 points)
 - A minimum of ten (10) customer references for product and/or services of similar scope dating within past 3 years

- ◆ Technology for Supporting the Program (10 points)
 - Electronic on-line catalog, order entry use by and suitability for the entity's needs
 - Quality of vendor's on-line resources for NCPA members.
 - Specifications and features offered by respondent's products and/or services

- ◆ Value Added Services Description, Products and/or Services (10 points)
 - Marketing and Training
 - Minority and Women Business Enterprise (MWBE) and (HUB) Participation
 - Customer Service

Signature Form

The undersigned hereby proposes and agrees to furnish goods and/or services in strict compliance with the terms, specifications and conditions at the prices proposed within response unless noted in writing. The undersigned further certifies that he/she is an officer of the company and has authority to negotiate and bind the company named below and has not prepared this bid in collusion with any other Respondent and that the contents of this proposal as to prices, terms or conditions of said bid have not been communicated by the undersigned nor by any employee or agent to any person engaged in this type of business prior to the official opening of this proposal.

Prices are guaranteed: **120 days**

Company name	<u>Apache Industrial Services, Inc.</u>
Address	<u>250 Assay St. Suite 500</u>
City/State/Zip	<u>Houston, TX 77044</u>
Telephone No.	<u>713-450-9307</u>
Fax No.	<u>713-450-2447</u>
Email address	<u>CLiggett@apacheip.com</u>
Printed name	<u>Courtney Liggett</u>
Position with company	<u>Account Manager</u>
Authorized signature	<u><i>Courtney Liggett</i></u>

Tab 2 – NCPA Administration Agreement

This Administration Agreement is made as of May 3, 2021, by and between National Cooperative Purchasing Alliance (“NCPA”) and Apache Industrial Services (“Vendor”).

Recitals

WHEREAS, Region 14 ESC has entered into a certain Master Agreement dated May 3, 2021, referenced as Contract Number 02-113, by and between Region 14 ESC and Vendor, as may be amended from time to time in accordance with the terms thereof (the “Master Agreement”), for the purchase of UV-C Stationary and Autonomous Indoor Air Cleaning Systems and Services;

WHEREAS, said Master Agreement provides that any state, city, special district, local government, school district, private K-12 school, technical or vocational school, higher education institution, other government agency or nonprofit organization (hereinafter referred to as “public agency” or collectively, “public agencies”) may purchase products and services at the prices indicated in the Master Agreement;

WHEREAS, NCPA has the administrative and legal capacity to administer purchases under the Master Agreement to public agencies;

WHEREAS, NCPA serves as the administrative agent for Region 14 ESC in connection with other master agreements offered by NCPA

WHEREAS, Region 14 ESC desires NCPA to proceed with administration of the Master Agreement;

WHEREAS, NCPA and Vendor desire to enter into this Agreement to make available the Master Agreement to public agencies on a national basis;

NOW, THEREFORE, in consideration of the payments to be made hereunder and the mutual covenants contained in this Agreement, NCPA and Vendor hereby agree as follows:

◆ General Terms and Conditions

- The Master Agreement, attached hereto as Tab 1 and incorporated herein by reference as though fully set forth herein, and the terms and conditions contained therein shall apply to this Agreement except as expressly changed or modified by this Agreement.
- NCPA shall be afforded all of the rights, privileges and indemnifications afforded to Region 14 ESC under the Master Agreement, and such rights, privileges and indemnifications shall accrue and apply with equal effect to NCPA under this Agreement including, but not limited to, the Vendor’s obligation to provide appropriate insurance and certain indemnifications to Region 14 ESC.
- Vendor shall perform all duties, responsibilities and obligations required under the Master Agreement in the time and manner specified by the Master Agreement.
- NCPA shall perform all of its duties, responsibilities, and obligations as administrator of purchases under the Master Agreement as set forth herein, and Vendor acknowledges that NCPA shall act in the capacity of administrator of purchases under the Master Agreement.
- With respect to any purchases made by Region 14 ESC or any Public Agency pursuant to the Master Agreement, NCPA (a) shall not be construed as a dealer, re-marketer, representative, partner, or agent of any type of Vendor, Region 14 ESC, or such Public Agency, (b) shall not be obligated, liable or responsible (i) for any orders made by Region

14 ESC, any Public Agency or any employee of Region 14 ESC or Public Agency under the Master Agreement, or (ii) for any payments required to be made with respect to such order, and (c) shall not be obligated, liable or responsible for any failure by the Public Agency to (i) comply with procedures or requirements of applicable law, or (ii) obtain the due authorization and approval necessary to purchase under the Master Agreement. NCPA makes no representations or guaranties with respect to any minimum purchases required to be made by Region 14 ESC, any Public Agency, or any employee of Region 14 ESC or Public Agency under this Agreement or the Master Agreement.

- The Public Agency participating in the NCPA contract and Vendor may enter into a separate supplemental agreement to further define the level of service requirements over and above the minimum defined in this contract i.e. invoice requirements, ordering requirements, specialized delivery, etc. Any supplemental agreement developed as a result of this contract is exclusively between the Public Agency and Vendor. NCPA, its agents, members and employees shall not be made party to any claim for breach of such agreement.

◆ **Term of Agreement**

- This Agreement shall be in effect so long as the Master Agreement remains in effect, provided, however, that the obligation to pay all amounts owed by Vendor to NCPA through the termination of this Agreement and all indemnifications afforded by Vendor to NCPA shall survive the term of this Agreement.

◆ **Fees and Reporting**

- The awarded vendor shall electronically provide NCPA with a detailed quarterly report showing the dollar volume of all sales under the contract for the previous quarter. Reports are due on the fifteenth (15th) day after the close of the previous quarter. It is the responsibility of the awarded vendor to collect and compile all sales under the contract from participating members and submit one (1) report. The report shall include at least the following information as listed in the example below:

Entity Name	Zip Code	State	PO or Job #	Sale Amount

Total _____

- Each quarter NCPA will invoice the vendor based on the total of sale amount(s) reported. From the invoice the vendor shall pay to NCPA an administrative fee based upon the tiered fee schedule below. Vendor's annual sales shall be measured on a calendar year basis. Deadline for term of payment will be included in the invoice NCPA provides.

<u>Annual Sales Through Contract</u>	<u>Administrative Fee</u>
0 - \$30,000,000	2%
\$30,000,001 - \$50,000,000	1.5%
\$50,000,001+	1%

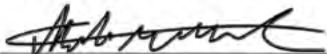
- Supplier shall maintain an accounting of all purchases made by Public Agencies under the Master Agreement. NCPA and Region 14 ESC reserve the right to audit the accounting for a

period of four (4) years from the date NCPA receives the accounting. In the event of such an audit, the requested materials shall be provided at the location designated by Region 14 ESC or NCPA. In the event such audit reveals an under reporting of Contract Sales and a resulting underpayment of administrative fees, Vendor shall promptly pay NCPA the amount of such underpayment, together with interest on such amount and shall be obligated to reimburse NCPA's costs and expenses for such audit.

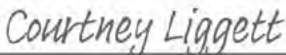
◆ General Provisions

- This Agreement supersedes any and all other agreements, either oral or in writing, between the parties hereto with respect to the subject matter hereof, and no other agreement, statement, or promise relating to the subject matter of this Agreement which is not contained herein shall be valid or binding.
- Awarded vendor agrees to allow NCPA to use their name and logo within website, marketing materials and advertisement. Any use of NCPA name and logo or any form of publicity regarding this contract by awarded vendor must have prior approval from NCPA.
- If any action at law or in equity is brought to enforce or interpret the provisions of this Agreement or to recover any administrative fee and accrued interest, the prevailing party shall be entitled to reasonable attorney's fees and costs in addition to any other relief to which such party may be entitled.
- Neither this Agreement nor any rights or obligations hereunder shall be assignable by Vendor without prior written consent of NCPA, provided, however, that the Vendor may, without such written consent, assign this Agreement and its rights and delegate its obligations hereunder in connection with the transfer or sale of all or substantially all of its assets or business related to this Agreement, or in the event of its merger, consolidation, change in control or similar transaction. Any permitted assignee shall assume all assigned obligations of its assignor under this Agreement.
- This Agreement and NCPA's rights and obligations hereunder may be assigned at NCPA's sole discretion, to an existing or newly established legal entity that has the authority and capacity to perform NCPA's obligations hereunder
- All written communications given hereunder shall be delivered to the addresses as set forth below.

National Cooperative Purchasing Alliance:

Name: Matthew Mackel
Title: Director, Business Development
Address: PO Box 701273
Houston, TX 77270
Signature: 
Date: May 3, 2021

Vendor: Apache Industrial Services, Inc.

Name: Courtney Liggett
Title: Account Manager
Address: 250 Assay St. Suite 500
Houston, TX 77044
Signature: 
Date: 3/25/2021

Tab 3 – Vendor Questionnaire

Please provide responses to the following questions that address your company's operations, organization, structure, and processes for providing products and services.

◆ States Covered

- Bidder must indicate any and all states where products and services can be offered.
- Please indicate the price co-efficient for each state if it varies.

50 States & District of Columbia (Selecting this box is equal to checking all boxes below)

- | | | |
|---|---|---|
| <input type="checkbox"/> Alabama | <input type="checkbox"/> Maryland | <input type="checkbox"/> South Carolina |
| <input type="checkbox"/> Alaska | <input type="checkbox"/> Massachusetts | <input type="checkbox"/> South Dakota |
| <input type="checkbox"/> Arizona | <input type="checkbox"/> Michigan | <input type="checkbox"/> Tennessee |
| <input type="checkbox"/> Arkansas | <input type="checkbox"/> Minnesota | <input type="checkbox"/> Texas |
| <input type="checkbox"/> California | <input type="checkbox"/> Mississippi | <input type="checkbox"/> Utah |
| <input type="checkbox"/> Colorado | <input type="checkbox"/> Missouri | <input type="checkbox"/> Vermont |
| <input type="checkbox"/> Connecticut | <input type="checkbox"/> Montana | <input type="checkbox"/> Virginia |
| <input type="checkbox"/> Delaware | <input type="checkbox"/> Nebraska | <input type="checkbox"/> Washington |
| <input type="checkbox"/> District of Columbia | <input type="checkbox"/> Nevada | <input type="checkbox"/> West Virginia |
| <input type="checkbox"/> Florida | <input type="checkbox"/> New Hampshire | <input type="checkbox"/> Wisconsin |
| <input type="checkbox"/> Georgia | <input type="checkbox"/> New Jersey | <input type="checkbox"/> Wyoming |
| <input type="checkbox"/> Hawaii | <input type="checkbox"/> New Mexico | |
| <input type="checkbox"/> Idaho | <input type="checkbox"/> New York | |
| <input type="checkbox"/> Illinois | <input type="checkbox"/> North Carolina | |
| <input type="checkbox"/> Indiana | <input type="checkbox"/> North Dakota | |
| <input type="checkbox"/> Iowa | <input type="checkbox"/> Ohio | |
| <input type="checkbox"/> Kansas | <input type="checkbox"/> Oklahoma | |
| <input type="checkbox"/> Kentucky | <input type="checkbox"/> Oregon | |
| <input type="checkbox"/> Louisiana | <input type="checkbox"/> Pennsylvania | |
| <input type="checkbox"/> Maine | <input type="checkbox"/> Rhode Island | |

All US Territories and Outlying Areas (Selecting this box is equal to checking all boxes below)

- | | |
|---|--|
| <input type="checkbox"/> American Samoa | <input type="checkbox"/> Northern Marina Islands |
| <input type="checkbox"/> Federated States of Micronesia | <input type="checkbox"/> Puerto Rico |
| <input type="checkbox"/> Guam | <input type="checkbox"/> U.S. Virgin Islands |
| <input type="checkbox"/> Midway Islands | |

◆ **Minority** and Women

Business Enterprise (MWBE) and (HUB) Participation

- It is the policy of some entities participating in NCPA to involve minority and women business enterprises (MWBE) and historically underutilized businesses (HUB) in the purchase of goods and services. Respondents shall indicate below whether or not they are an M/WBE or HUB certified.
 - **Minority / Women Business Enterprise**
 - Respondent Certifies that this firm is a M/WBE
 - **Historically Underutilized Business**
 - Respondent Certifies that this firm is a HUB

◆ **Residency**

- Responding Company's principal place of business is in the city of Houston, State of Texas

◆ **Felony Conviction Notice**

- Please Check Applicable Box;
 - A publically held corporation; therefore, this reporting requirement is not applicable.
 - Is not owned or operated by anyone who has been convicted of a felony.
 - Is owned or operated by the following individual(s) who has/have been convicted of a felony
- If the 3rd box is checked, a detailed explanation of the names and convictions must be attached.

◆ **Distribution Channel**

- Which best describes your company's position in the distribution channel:
 - Manufacturer Direct Certified education/government reseller
 - Authorized Distributor Manufacturer marketing through reseller
 - Value-added reseller Other: _____

◆ **Processing Information**

- Provide company contact information for the following:
 - **Sales Reports / Accounts Payable**
 - Contact Person: Brendan Sheridan
 - Title: Sales Manager
 - Company: Apache SafeSpace Solutions, A Division of Apache Industrial Services, Inc.
 - Address: 250 Assay St. Suite 500
 - City: Houston State: TX Zip: 77044
 - Phone: 281-639-4435 Email: bsheridan@apacheip.com

▪ Purchase Orders

Contact Person: Courtney Liggett
Title: Account Manager
Company: Apache SafeSpace Solutions, A Division of Apache Industrial Services, Inc.
Address: 250 Assay St. Suite 500
City: Houston State: TX Zip: 77044
Phone: 281-609-8884 Email: CLiggett@apacheip.com

▪ Sales and Marketing

Contact Person: Courtney Liggett
Title: Account Manager
Company: Apache SafeSpace Solutions, A Division of Apache Industrial Services, Inc.
Address: 250 Assay St. Suite 500
City: Houston State: TX Zip: 77044
Phone: 281-609-8884 Email: CLiggett@apacheip.com

◆ Pricing Information

- In addition to the current typical unit pricing furnished herein, the Vendor agrees to offer all future product introductions at prices that are proportionate to Contract Pricing.
 - If answer is no, attach a statement detailing how pricing for NCPA participants would be calculated for future product introductions.
 Yes No
- Pricing submitted includes the required NCPA administrative fee. The NCPA fee is calculated based on the invoice price to the customer.
 Yes No
- Vendor will provide additional discounts for purchase of a guaranteed quantity.
 Yes No

Tab 4 – Vendor Profile

- **Company's official registered name.**
Apache Industrial Services, Inc. (www.apacheip.com)
Our UV-C products are manufactured and distributed under Apache's SafeSpace Solutions, A division of Apache Industrial Services, Inc – Apache Technical Services. (www.apachesafespacesolutions.com)
- **Brief history of your company, including the year it was established.**
Established in 1996, Apache Industrial Services, Inc. is headquartered in Houston, TX with over 5,000 full-time employees spread amongst 22 locations in the United States. Apache Industrial Services generates \$1 Billion in revenue amongst 6,500 projects across the country.
Apache Industrial Services, Inc. offers the most complete and effective set of industrial services available for today's market, including scaffolding, insulation, coatings and linings, fireproofing, refractory, abatement, tank services and technical services. For over thirty years, Apache Industrial Services has met the needs of the petrochemical, industrial and energy sectors by providing superior quality, service and long-term value to our customers.
Over the years, Apache has taken pride in always putting people and safety first, while being nimble enough to quickly respond to our customers' needs. In response to the Coronavirus pandemic, our Apache Technical Services division proudly introduced SafeSpace Solutions – a revolutionary new product line and service that safely detects elevated temperatures and decontaminates spaces so people can get back to work and life.
After extensive research from the likes of Boston University our team of in-house engineers and product development team engineered and designed a suite of UV-C products manufactured in our Houston, TX facility.
Apache Technical Services' SafeSpace Solutions provides organizations with the tools necessary to minimize risks of contagion and contamination via advanced, highly technical, purification systems. SafeSpace Solutions provides a line of UV-C products that eradicate and decontaminate both air and surfaces of harmful microbes; products including, portable and handheld UV-C lighting systems, UV-C air scrubbers, mass temperature scanners, and custom HVAC treatment systems.
- **Company's Dun & Bradstreet (D&B) number.**
DUNS # 078645071
- **Company's organizational chart of those individuals that would be involved in the contract.**
Apache's SafeSpace Solutions team is comprised of:
 - Stewart Records - Vice President of Operations
 - Nathan Tice – General Manager

- Patrick Marler - General Manager of Operations
- Shavon Carvin, Jacob Self – Product Engineering Team
- Brendan Sheridan – Sales Manager, Innovation Engineer
- Courtney Liggett – Account Manager

- **Corporate office location**
 Apache Industrial Services, Inc.
 250 Assay Street, Suite 500
 Houston, TX 77044
 - **Sales and services offices for states being bid in solicitation.**
 All sales and services will be handled through our SafeSpace Solutions team (listed above), headquartered in Apache's corporate office location. Products are manufactured and shipped from our manufacturing facility located at 11611 North Lake Houston Parkway Houston, TX 77044.

 - **Key contacts at each with title, address, phone and e-mail address.**

 Courtney Liggett
Account Manager, Sales & Marketing
 250 Assay Street, Suite 500
 Houston, TX 77044
 Tel: 281-609-8884
 Email: CLiggett@apacheip.com

 Brendan Sheridan
Sales Manager & Innovation Engineer
 250 Assay Street, Suite 500
 Houston, TX 77044
 Tel: 281-639-4435
 Email: BSheridan@apacheip.com

 Shavon Carvin
Product Support Engineer
 250 Assay Street, Suite 500
 Houston, TX 77044
 Tel: 281-415-4194
 Email: SCarvin@apaceip.com

 Jacob Self
Product Support Engineer
 250 Assay Street, Suite 500
 Houston, TX 77044
 Tel: 832-506-7400
 Email: JSelf@apacheip.com

**The above will be key contacts for any customer concerns. Including, but not limited to order inquiries, pricing, product shipment status, accounting, product support, etc.*

- **Define your standard terms of payment.**

Standard Payment Terms: Due on receipt. At the time of order placement.

Special Terms for high volume orders, which would require more multiple shipments Apache will require 50% payment at the time of order placement and the remaining 50% to be paid prior to shipment of product.

- **Who is your competition in the marketplace?**

There are very few true competitors that offer the same product quality and effectiveness of Apache's SafeSpace Solutions, at comparable prices. Although relatively new to the UV-C marketplace, Apache has maintained a full workforce since entering the market, even during the COVID-19 pandemic. The opportunity to repurpose our facilities already available to us has facilitated the growth and development of our workforce and manufacturing process. We, as a company, were able to do this by repurposing our facilities that we had in place to further increase production of our SafeSpace Solutions products. Our company also has a sq. ft hiring center in Deer Park where we do our own in-house hiring, safety training, and certifying of new employees. This allows our team to continue to provide quick responses to our customers and act on short notice in order to satisfy all our clients in a timely manner.

As concerns over COVID-19 have grown, so has the demand for safe and effective sanitization of our spaces. The circumstances of the current social and economic climate have afforded Apache the opportunity to consistently maintain a skilled workforce and provide the consumer with advanced germicidal UV-C sanitation products.

Our engineering team is responsible for the research, design, and testing of all our products. All members of the engineering team possess various engineering degrees from ABET accredited universities. An in-house engineering and entrepreneurial approach empower the team to overcome any challenge.

As a company who has successfully completed UV-C projects across the nation, Apache SafeSpace Solutions hold the utmost confidence in the science, development, and quality in its products. Apache's UV-C products have provided sanitation solutions to clientele such as:

- Abercrombie & Fitch Co.
- Ferrari of Houston
- New York Public Library
- Petaluma City Schools
- Dinuba School District
- Caruthers School District
- ExxonMobil
- Marathon Petroleum Corporation

No other competitor has experienced such growth and success, in such a short time while producing high quality, effective products utilizing current resources.

- **What differentiates your company from competitors?**

We solely created our custom product line and manufacture our items, here in the US, at our Houston, TX facility. We are not merely a distributor of UV-C products, but a manufacturer.

The Apache SafeSpace Solutions' team is comprised of problem solvers and critical thinkers. The team of in-house engineers utilize established UV-C research and data, like that of Boston University, to calculate the necessary dosage required to fulfill UV-C sanitation standards. Boston University found that a dose of $5\text{mJ}/\text{cm}^2$ resulted in "a reduction of the SARS-CoV-2 virus of 99% in 6 seconds." The NEIDL team extrapolated that a stronger dose of $22\text{mJ}/\text{cm}^2$ would result in a reduction of 99.999% in 25 seconds." We strictly adhere to the standards of Boston University's research in the design of UV-C products to ***ensure the proper kill dosage to eliminate SARS-CoV-2 virus***. Critical is the need to ensure all particles undergoing irradiation receive a sufficient dosage of UV-C light. While the light intensity is a contributing factor to the purification system, dosage, or the amount of light energy a particle absorbs, remains the cornerstone of UV-C sanitization. ***Therefore, Apache's AIRrow 2000 2.0, air scrubbers and HVAC UV-C systems are designed as a tailor-made air purifier, not simply a coil cleaning product.*** Apache SafeSpace Solutions take great pride in their ability to complete projects in a safe and timely manner, without sacrificing quality workmanship.

Apache stands apart as an industry leader by way of including team members with unique backgrounds and skillsets. With backgrounds in fluid mechanics and aerodynamics, the engineering team possesses the resources to quickly overcome obstacles. If necessary, the SafeSpace team are poised to pivot and rapidly address challenges that may arise during a project. Whether it be on-site construction experience, technical knowledge, or research and development; the Apache SafeSpace Solutions team possess the drive and skills necessary to deliver a superior solution. Apache SafeSpace Solutions provides its customers with the highest grade of craftsmanship and service, for anything less is unacceptable.

- **Describe how your company will market this contract if awarded.**

If awarded, we will promote the awarded contract between Apache and NCPA as follows:

- Official announcement published on SafeSpace Solutions social media outlets
- NCPA and Region 14 ESC Logo and link added to our company website
- Add NCPA Logo to marketing materials directed to government agencies, schools, and municipalities.

As we target these key markets, we will heavily promote NCPA affiliation with Apache to further awareness of our continued commitment to provide products and service these agencies.

- **Describe how you intend to introduce NCPA to your company.**

Sales and Business Development departments throughout the company will be provided with an internal training module and will be required to be proficient in the information provided by NCPA, both within said contract and on NCPA webpage.

- **Describe your firm's capabilities and functionality of your on-line catalog / ordering website.**

We currently feature all products on our website, which can be found at www.apachesafespacesolutions.com/.

On-line orders can be placed directly on our website, or through our customer service representatives and key contacts.

If a contract was awarded through NCPA, our web page would be updated accordingly to accommodate NCPA purchasing affiliates in order to received proposed pricing.

- **Describe your company's Customer Service Department (hours of operation, number of service centers, etc.)**

Apache SafeSpace Solutions can be reached 24 hours a day, 7 days a week via phone or email.

Phone: 713-830-1883.

Email: SafeSpaceSolutions@apacheip.com

The SafeSpace phone number will be answered by a live operator from 6AM-6PM CST. If contacted after hours and an operator is unavailable, the line will roll over to an emergency contact(s) through back office operations in place.

Written inquiries can be sent at any time to the above email and will be responded to within 4 hours of receipt.

- **Green Initiatives**

➤ As our business grows, we want to make sure we minimize our impact on the Earth's climate. We are taking every step we can to implement innovative and responsible environmental practices throughout NCPA to reduce our carbon footprint, reduce waste, energy conservation, ensure efficient computing and much more. To that effort we ask

respondents to provide their companies environmental policy and/or green initiative.

- Apache makes a company-wide every effort to reduce our carbon footprint, reduce waste and conserve energy.

Practices and policies currently in place include:

- Recycling program in place, where applicable (Ex: Scrap Metal recycling at manufacturing facilities utilizing metal)

- Hazardous Waste Management Policy (attached)

Our product line is continuously developing, and we will continue to add to our green initiative to comply and support NCPA Green Initiatives.

- **Vendor Certifications (if applicable)**

- UL Certification currently in process.

Expected completion date: on or before April 30, 2021

Apache Industrial Services Inc. Hazardous Waste Management & Emergency Response Procedure				Page 1 of 6
		06/20	Rev. 2	
		TABLE OF CONTENTS		PAGE #
I	Scope & Purpose			1
II	Responsibilities and Expectations			1
III	Training Requirements			2
IV	Definitions			2
V	Policy Evaluation			3
VI	Top 3 hazards and/or Risks			3
VII	Waste Minimization			3
VIII	Opening Containers			4
IX	Spill Response Cleanup			4
X	Container Storage			5
XI	Waste Management			5
XII	Engineering Controls			5
XIII	Operations			6

I. Scope & Purpose

The purpose of this procedure is to provide guidance for operations pertaining to hazardous waste management and emergency response. This section applies to all Apache Industrial Services employees and subcontractors.

II. Responsibilities and Expectations

Supervisors:

1. Must be aware of potentially hazardous conditions that may arise during the storage, use, and disposal of potentially hazardous chemicals.
2. Must ensure that all employees are aware of the correct procedure for reporting hazardous material spills, leaks, contamination, etc.
3. Must ensure employees who exhibit signs or symptoms which may have resulted from exposure to hazardous substances during the course of an emergency are provided with medical consultation.
4. Must ensure that all employees are trained on this procedure and the area they are working in. Training should be based on their duties and functions.
5. Must ensure employees receive a minimum of first responder awareness level training as applicable. These are Individuals who are likely to witness or discover a hazardous substance release & who have been trained to initiate an emergency response sequence by notifying the proper authorities of the release.
6. Must ensure all trainers have the training and/or academic credentials and instructional experience to demonstrate competency.
7. Must ensure that annual refresher training is conducted and a record of the methods used must be maintained.

8. Must ensure an emergency response plan is developed & implemented to handle anticipated emergencies prior to the commencement of emergency response operations. The plan shall be in writing & available for inspection by employees, their representatives & OSHA. The emergency response plan should address, at a minimum:
 - a. Pre-emergency planning & coordination with outside parties.
 - b. Personnel roles, lines of authority, training & communications.
 - c. Emergency recognition & prevention.
 - d. Safe distances & places of refuge.
9. The senior official at an emergency response is the most senior official on the site who has the responsibility for controlling operations at the site. We shall assist in accordance with the site specific emergency plan and at no time perform duties outside our qualification and competencies.

Employees:

1. Must report all spills, contamination, emergencies, etc. immediately.
2. Must comply with all applicable procedures.

III. Training Requirements

Where HAZWOPER is required:

40 Hour HAZWOPER – is required for management and supervision who are directly responsible for supervising employees in cleanup activities. Workers who are working directly with hazardous waste or cleanup activities are required to have 40 hours of training also. Personnel who are required to have this level of training are also required to complete 3 days of field experience under the direct supervision of a trained experienced supervisor.

24 Hour HAZWOPER – Workers who occasionally visit the site and perform tasks that do not involve direct contact with waste and are not exposed over the permissible exposure limit (PEL) can receive a minimum 24 hours of training. Workers who are regularly on site but not exposed above the PEL and work where respiratory protection is not required can receive a minimum of 24 hours of training. This level of training requires 1 day of field experience under the direct supervision of a trained experienced supervisor.

Refresher Training – Workers who have the 40 hour or 24 hour training must receive an 8 hour refresher training annually.

IV. Definitions

Supervisor – Person responsible for the direction of all hazardous waste operations.

Worker – Works directly with the hazardous waste in areas that may have health hazards or need remediation.

Decontamination – The removal of hazardous material from employees and their equipment to the extent necessary to avoid adverse health effects.

IDLH – Immediately Dangerous to Life and Health (IDLH) is an atmospheric concentration of any toxic, corrosive, asphyxiant substance that poses an immediate threat to life or would interfere with an individual's ability to escape from a dangerous atmosphere.

Oxygen Deficiency – An atmosphere that contains less than 19.5% oxygen.

Permissible Exposure Limit – The maximum amount or concentration of a chemical that a worker may be exposed to under OSHA regulations.

Emergency Response – An effort to mitigate the impact of an incident on the public and the environment.

Hazardous Waste – Waste that poses substantial or potential threats to public health or the environment.

V. Policy Evaluation

This policy will be evaluated periodically to ensure the effectiveness of this program.

Evaluation methods may be as follows:

1. Field audits
2. Corporate audits

VI. Top 3 Hazards and/or Risks

1. Employee exposure to hazardous chemicals.
2. Environmental impact from release of hazardous chemicals.
3. Impact on the community due to hazardous material release.

VII. Waste Minimization

- A. The following are guidelines to help minimize waste.
 1. Use the least amount of hazardous materials needed, where possible.
 2. Check with other work on the site before pulling new materials. Use any open materials before opening new ones.
 3. Do not pull more materials than you can use in one shift. Plan ahead.
 4. Assign one person to mix paints and package wastes.
 5. Thinners and paints must be covered at all times. Keep all containers closed when not in use.
 6. Practice good inventory control.
 7. Use ground covers or containment when pouring or mixing materials.
 8. Immediately clean up or contain any spill and report to supervision.
 9. Make sure equipment is cleaned properly.
 10. Use paint pot liners where possible.
 11. Verify that all paint containers are empty (less than 1" of material remaining on the bottom).
 12. Verify that hose connections are tight and not leaking.
 13. Inspect all mechanical equipment looking for signs of leaks.
 14. Use drip pans under mobile compressors.

VIII. Opening Containers

- A. The following are steps that should be followed when opening any container of any potentially hazardous chemical. This may include but is not limited to paint containers, thinner containers, oil containers, waste containers (both hazardous and non-hazardous).
1. The container should be on a pad or spill containment pallet before opening. If the container is not on a pad or spill containment then an alternate form of ground protection should be used.
 2. The person or persons opening the container must have knowledge of the contents.
 3. Depending on the contents of the container, all protective clothing and equipment must be in place and readily available. (i.e., drip pads, drop cloths, PPE).
 4. The container must be closed upon completion of the task. Lids must be placed back on the containers.
 5. When possible, if the container was removed from a storage area, it should be returned to its original location. This should only apply to work material containers that have contents that may be used at a later time. *Important note:* Waste containers should not be moved from their designated areas.
 6. When it is not possible to return the container back to its original location it should be placed in the appropriate storage area. (i.e., hazardous waste storage area, non-hazardous waste storage area, work materials storage area).

IX. Spill Response Cleanup

- A. The following are guidelines for spill response and cleanup.
1. If a spill occurs the person or persons in charge at each job-site shall be notified immediately.
 2. All protective clothing and equipment as well as spill prevention equipment should be utilized when cleaning the spill. (i.e., Coveralls, rubber boots, disposable gloves, respiratory protection, sorbent material, shovels/scoops, and plastic bags, over pack drum with lids.)
 3. Clean the spill using the spill prevention equipment. (i.e., Disposable gloves, sorbent material, shovels/scoops, plastic bags.) The entire area of contamination should be inspected to ensure complete removal of spilled material. *Important note:* Personnel must be absolutely sure that there was not any contamination of ground soils or ground/surface waters. If there is contamination of soil or water it to must be reported to the supervisor. The supervisor will make the determination on how the contaminated soil or water should be removed.
 4. After cleaning the spill, all materials that are retained from the spill, as well as, those disposable items that are used to clean the spill, should be treated as hazardous waste. Storage of the materials should be in an appropriate hazardous waste container that should be located in the hazardous waste storage area. The container contents must be compatible. *Important note:* The hazardous waste container should be clearly marked and labeled with a Hazardous Waste label and accumulation start date. If there

are no markings on a container, do not place any materials inside. If there are no available containers for storage notify the supervisor immediately.

5. All notification and documentation regarding the spill should be completed accordingly.

X. Container Storage Area

- A. The following is a guideline for container storage areas.
 1. Container storage areas should be separated into three distinct areas. These areas (hazardous waste storage area, non-hazardous waste storage area, work materials storage area) must be **separated** from each other.
 2. The structure of the building or storage facility must be intact. It should be inspected monthly.
 3. Warning signs must be posted on all sides of the container storage area. The signs should read, "**Flammable**", "**No Smoking**". The hazardous waste storage area should have signs posted that read, "**Caution: Hazardous Waste Storage**".
 4. The container storage area must be kept neat and orderly and should be routinely checked to ensure integrity. The storage area should be free of debris, clutter, trash. If it is not a material that has a designated storage area, **it does not belong**.
 5. There should be adequate aisle space inside the storage area. **Adequate** means that there should be easy access to each and every container.
 6. Storage areas are not intended for any other materials other than what they are designated for. Work materials should only be stored with other work materials. Hazardous waste can only be stored in hazardous waste storage area. Non-hazardous waste area can only contain non-hazardous waste.
 7. Emergency notification numbers and equipment must be posted on the wall of the storage areas.

XI. Waste Management

- A. The handling of waste is an essential part of all Environmental Compliance Programs. There are three major parts involved in handling waste, these are:
 1. Classification
 2. Storage
 3. Disposal
- B. The first step in classifying any material that is a waste is to make a Hazardous Waste Determination. There are two categories of hazardous waste established under the Resource Conservation and Recovery Act. These are:
 1. Listed hazardous waste which is defined in 40 CFR Part 261 Subpart D, and
 2. Characteristic Hazardous waste which is defined in 40 CFR Part 261 Subpart C.
- C. Listed hazardous wastes fall into one of the following categories F, K, P and U. Characteristic hazardous wastes may exhibit one or more of the following characteristics
 1. Ignitability

2. Corrosivity
 3. Reactivity
 4. Toxicity
- D. Excluding hazardous waste, there are normally three categories of industrial waste. These are Class 1, Class 2, and Class 3. The following work plan shall be followed.
1. Containers must be clearly and legibly marked/labeled "Hazardous Waste".
 2. The date upon which each period of accumulation begins must be clearly marked and labeled and visible for inspection on each container. **Container labels must always be visible.**
 3. Containers for waste management must be in good condition. They should be free of dents, corrosion, not leaking or showing signs of leakage.
 4. Containers must be compatible with the type of waste they will hold.
 5. Containers should be kept closed at all times other than when adding or removing material.
 6. Do not open, handle, or store a container in any way that would cause the container to rupture or leak. When working with containers, always make sure they are properly grounded and bonded to minimize the risk for an explosion or fire.
 7. When handling waste always utilize the proper personal protective equipment and emergency spill response equipment so as to minimize any potential risk or exposure.
 8. Never place containers holding hazardous waste that is incompatible with other waste close to each other. They must be separated by means of a dike, berm, wall, or other device.
 9. Isle space must be maintained for inspection and emergency purposes.
 10. Containers that are empty should be marked "empty". All labels and warning stickers must be removed if the container is empty.

XII. Engineering Controls

Engineering controls and work practices shall be instituted to reduce and maintain employee exposure to or below the permissible exposure limits for substances regulated by 29 CFR Part 1920, except to the extent that such controls and practices are not feasible. Engineering controls which may be feasible include the pressurized cabs or control booths on equipment, and/or the use of remotely operated handling equipment. Work practices which may be feasible are removing all non-essential employees from exposure during opening or drums, wetting down dusty operations and locating employees upwind of possible hazards.

XIII. Hazardous Waste Operations

- A. **Monitoring** - Air monitoring should be used to identify and quantify airborne levels of hazardous substances. The monitoring should address initial entry, periodic monitoring, possible IDLH conditions and wherever exposure may be a possibility.

- B. **Decontamination** - A decontamination procedure will be developed, communicated to employees and implemented before any employees or equipment enter the site where the potential for exposure to hazardous substances exists.
1. All employees leaving a contaminated area must be appropriately decontaminated.
 2. All contaminated clothing including personal protective equipment and equipment leaving a contaminated area will be properly disposed of or decontaminated, cleaned, replaced in a manner that retains the equipment's effectiveness.
 3. Unauthorized employees will not remove protective clothing or equipment from change rooms.
 4. Employees whose non-impermeable clothing becomes wetted with hazardous substances will immediately remove the clothing.
 5. Where the decontamination procedure indicates a need for regular showers and change rooms outside of a contaminated area, they shall be provided and meet the requirements of 29 CFR 1910.141.
 6. Decontamination procedures will be monitored by the site safety supervisor to determine their effectiveness. When such procedures are found to be ineffective, appropriate steps shall be taken to correct any and all deficiencies.
 7. Decontamination areas will be performed in geographical areas that will minimize the exposure of uncontaminated employees or equipment to contaminated employees or equipment.

Tab 5 – Products and Services

- Respondent shall perform and provide these products and/or services under the terms of this agreement. The supplier shall assist the end user with making a determination of their individual needs.

Manufacturer of all products: Apache SafeSpace Solutions, a Division of Apache Industrial Services, Inc.

We offer a variety of UV-C Systems to clean and decontaminate the air and surfaces.

ADDITIONAL PRODUCT DETAIL ATTACHED TO THIS TAB:

- (1) PRODUCT CATALOG
- (2) TOMAHAWK 2000, 3000, 8000 and Hatchet User Manual
- (3) AIRrow 2000 2.0 UV-C Air Filtration User Manual
- (4) Tomahawk Ultra-Light Handheld Owners Manual
- (5) AIRrow 5000 User Manual
- (6) AIRrow Swift 6000 Information Sheet

➤ UV-C Systems and Stationary Units

- UV-C Light Towers: 2000, 3000, 8000 and Hatchet



These portable units move easily from room to room to quickly sterilize any area. The Tomahawk is able to decontaminate closed and open spaces with 99.9% effectiveness of destroying dangerous microorganisms like bacteria, viruses, and fungi.

Features:

Constructed using lightweight Carbon steel
Portable and easy to move and reposition
Applicable to closed and open spaces
Remote Operated
Uses 4 or 8 30-Watt Germicidal UV-C Bulbs
110 – VOH Three Prong Plug
Bulb life: 8000 hours



- AIRrow Light 2.0 Air Filtration System

The AIRrow Light 2000 2.0 UV-C Air Treatment system cleans and circulates the air in rooms and offices. This portable unit pulls air into a two-stage High Efficiency Particulate Air (HEPA) filter, followed by UV-C light treatment for clean, continuous air cycling free of contaminants.

Features:

2-inch thick High Efficiency Particulate Air (HEPA) filter captures 99.7% of airborne particles 0.3 micrometers in diameter
UV-C Decontamination
Dimensions: 28-1/2" x 6-3/4" x 12" (L x W x H)
Weight: 17 lbs



Cycles 220 cubic feet of air per minute
(2) 15 W UV-C Bulbs
Bulb Life 8000 hours
For use in classrooms, cafeterias, libraries, auditoriums, lockers
rooms, and any shared spaces.
Safe for use around people, pets, and plants



- **Tomahawk Ultra-Light Handheld**

Perfect for the disinfection of hard to clean surfaces such as remote controls, keyboards, equipment with many accessories, and inaccessible areas that require frequent wipe downs. The Tomahawk Light destroys dangerous microorganisms on surfaces.

Features:

15 watt 18-inch UV-C Germicidal Bulb
Lightweight, weighing 1.7 lbs
Easy for anyone to use
Dosage: 1 inch away from surface = 1 second of cleaning time

- **AIRrow 5000 UV-C HVAC Treatment System**

The science of the AIRrow 5000 utilizes UV-C technology to clean and disinfect air that passes through the Safe Space device. The AIRrow 5000 is great for small buildings, warehouses, as well as tents, trailers, and other facilities. The UV-C technology eradicates particles and viruses in the air as it passes through the AIRrow 5000 chamber prior to allowing them to circulate through air vents and open areas.

Features:

Sterilizes air entering occupied spaces using UV-C to decontaminate air as it passes through
Can be placed in-line as part of external A/C package or can be designed to be freestanding and placed in a large area such as a gym or cafeteria
Four 30-watt germicidal UV-C Bulbs

➤ **Autonomous Units must be able to decontaminate surfaces in a minimum space of 10000 square feet.**

AIRrow Swift 6000 UV-C HVAC Treatment System

AIRrowSwift 6000 Attributes

Dimensions 40" x 20" (L x W)

Weight 15 lbs. per panel

Bulb 4 bulbs for each panel

Total Voltage 110 V / 120 watts / 1.1 amps for each panel

UV Output 40 watts each panel

Bulb Life 8000 hours

UVC Wavelength UV-C, 200nm – 280 nm, peak 254 nm

Material Light weight steel

Airflow Up to 5,500 cubic feet per minute

AIRrow Swift 6000 Product info (cont.)

These are custom engineered depending on the HVAC unit of the building being treated. Pricing will vary depending on individual customer needs. When end user is determining product needs, Apache will make necessary suggestions on this product and obtain further information from the end user to accurately determine pricing and solutions for end user.

➤ **Describe your products built in safety attributes, required safety protection for operators, and safety training programs.**

- Our light towers are equipped with key fobs, slowing for an individual operating the units to leave the room to avoid exposure to UV-C light while decontaminating the space.
- All units come with safety glasses.
- Detailed Owners manuals with safety precautions also accompany each unit.
- Upon initial order, Apache offers white glove delivery service of products. Personal operating instruction is given to operators and items are properly unpackaged and left ready to use.
- Detailed operating procedures for each product can also be accessed easily through Apache SafeSpace Solutions YouTube Channel at https://www.youtube.com/channel/UC36XbnoDB9f6_h9Ok1L7Djw

➤ **Describe your company's program to dispose of the equipment safely at the end of its useful life.**

Units can be disposed of via proper recycling outlet. Certificate of destruction should be requested as to protect proprietary manufacturing information. Units can also be returned to Apache Industrial Services at the cost of the end user, for proper disposal.

Product Information & Overview

www.ApacheSafeSpaceSolutions.com

SafeSpaceSolutions@apacheip.com

713-830-1883

Decontaminate

UV-C Product Overview

Apache develops and delivers engineered products to reduce infinitesimally small risks at the greatest possible scale. **We create safer spaces with advanced technical solutions.**

Our line of UV-C products provides businesses with the approach necessary to minimize the risks of contagion and contamination in your space.

AIRrow Light 2000

The science behind the AIRrow UV-C Filtration System relies on a two-stage High Efficiency Particulate Air (HEPA) filter and purification process followed by UV-C light treatment. The AIRrow destroys dangerous microorganisms in the air.

- Pulls air and contaminates toward the ground, away from breathing level, and into the air filtration system and UV-C treatment chamber
- Outer washable nylon mesh filter
- Inner second pleated media filter that captures smaller particles such as dirt and debris
- 2-inch thick High Efficiency Particulate Air (HEPA) filter captures 99.7% of airborne particles 0.3 micrometers in diameter.
- Optional carbon filter can capture smoke and other noxious odors
- UV-C Decontamination
- Cycles 175 ft³ of air per minute
- For use in office spaces and homes
- Safe for use around people, pets, and plants
- Designed to run for hours for continuous air cycling

Tomahawk Light

Perfect for the disinfection of hard to clean surfaces such as remote controls, keyboards, equipment with many accessories, and inaccessible areas that require frequent wipe downs. The Tomahawk Light destroys dangerous microorganisms on surfaces.

- 15 watt 18-inch UV-C Germicidal Bulb
- Lightweight Aluminum Construction
- Dosage: 1 inch away from surface = 1 second of cleaning time

Tomahawk 2000 & 3000 UV-C Lamps

The Tomahawk relies on UV-C technology to actively seek and destroy microorganisms in the air and on hard surfaces. The Tomahawk is able to decontaminate closed and open spaces with 99.9% effectiveness of destroying viruses, bacteria, and more. The Tomahawk destroys dangerous microorganisms in the air and on surfaces.

- Constructed using lightweight Carbon Steel
- Portable, easy to move and reposition
- Applicable in closed and open spaces
- Remote operated
- Four or Eight 30-Watt Germicidal UV-C Bulbs
- 110 – VOH Three-Prong Plug

AIRrowSwift 5000

The AIRrowSwift incorporates UV-C technology into existing air conditioning and filtration systems for small buildings, warehouses, as well as tents, trailers, and other facilities. The UV-C technology eradicates particles and viruses in the air as it passes through the AIRrowSwift chamber prior to allowing them to circulate through air vents. The AIRrowSwift destroys dangerous microorganisms in the air.

- Sterilizes air entering occupied spaces such as tents, shops, small buildings, and warehouses
- Placed in-line as part of an external A/C package
- UV-C technology decontaminates air as it passes through
- Fully encased in 1-inch thick closed-cell insulation
- Four 30-Watt Germicidal UV-C Bulbs

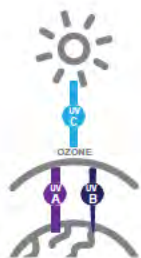
To learn more, visit:

www.apachesafespacesolutions.com

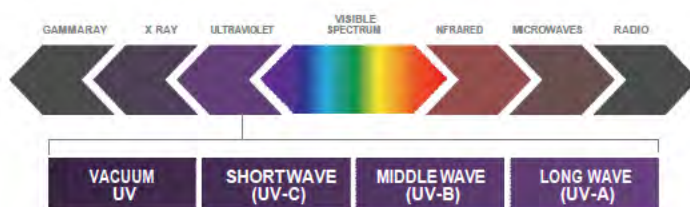
apache SAFESPACE SOLUTIONS

UV-C Light Technology Explained

UV-C light is already being used in hospital and industrial settings to decontaminate equipment, rooms, and water. Learn more about what it is and how it works to destroy dangerous microorganisms:



UV-C light encompasses a wavelength range of 200 to 280 nanometers (nm), and at certain wavelengths (between 222 and 254 nm approximately), UV-C light is germicidal and proven effective in destroying dangerous microorganisms.



Exposure to UV-C light breaks down cell walls, reaches the cell's DNA and RNA, initially inactivating the cell from multiplying. With increased exposure, light continues to break down the organic material, destroying the cell entirely.



Studies have proven that UV-C light is effective in destroying viruses and bacteria (salmonella, E. coli, cold and flu strains), and molds, not only on hard surfaces but in the air as well.



Ultimately, UV-C decontamination is most effective when used in conjunction with standard cleaning protocols.

"UV light, specifically between 200-280nm[i] (UVC or the germicidal range), inactivates (aka, 'kills') at least two other coronaviruses that are near-relatives of the COVID-19 virus: 1) SARS-CoV-1 and 2) MERS-CoV." [cdc.gov](https://www.cdc.gov)

"UVC light is highly effective at killing bacteria and viruses by destroying the molecular bonds that hold their DNA together." [Columbia University Medical Center](#)

Numerous studies show that [UV] is effective at reducing hospital-acquired infections and combating so-called superbugs. In 2014, one Texan hospital used it in the clean-up after an Ebola case. More than 500 healthcare facilities, mostly in the US, have the machine. In California and Nebraska, it has already been put to use sanitizing hospital rooms where coronavirus patients received treatment. [BBC](#)

Tomahawk Ultra- Light uv-c lamps

Apache develops and delivers engineered products to reduce infinitesimally small risks at the greatest possible scale.

We create safer spaces with advanced technical solutions.



Perfect for the disinfection of hard to clean surfaces such as remote controls, keyboards, equipment with many accessories, and inaccessible areas that require frequent wipe downs.

The Tomahawk Light destroys dangerous microorganisms on surfaces.

- 15 watt 18-inch UV-C Germicidal Bulb
- Lightweight Aluminum Construction
- Dosage: 1 inch away from surface = 1 second of cleaning time
- 1.8lbs / 0.82kg
- UL certified parts.

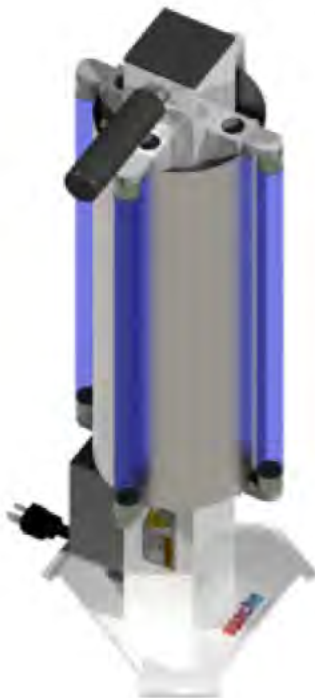


To learn more, visit:
www.apachesafespacesolutions.com

apache SAFESPACE SOLUTIONS

Hatchet Application

The Tomahawk relies on UV-C technology to destroy microorganisms in the air and on hard surfaces. With the Coronavirus being lighter than air, it must attach to dust particles to land on a surface. The Tomahawk decontaminates open spaces with 99.9% effectiveness of destroying microorganisms and viruses in which it comes in contact.



Hatchet Traits

- Height: 29 inches
- Weight: 12 lbs.
- Voltage: 60 watts / .54amps
- UV Output: 18 watts
- Bulb Life Time: 8000 hours
- UVC Wavelength: 200nm – 280 nm, peak 254 nm
- Beam Pattern: Flood
- Foot Print: 10" x 10"
- Material: Lightweight Carbon Steel
- Plug: 110 – VOH Three – Prong Plug

Space Dosage Estimator – Recommended placed in the center of area to be sterilized		
4' x 4'	5' x 5'	6' x 6'
4 minutes	10 minutes	36 minutes

The Hatchet is remote operated, two Key Fobs are included.

Tomahawk 2000 | 3000

uv-c lamps

Tomahawk 2000 & 3000 Attributes



Series	2000	3000
Bulb qty.	4	8
Height	77 inches	77 inches
Weight	45 lbs.	45 lbs.
Wattage	30W each lamp	30W each lamp
Total Wattage	120W	240W
Total UV Wattage	48W	96W
Amps	1.1 amps	2.2 amps
Bulb Lifetime	8000+ hours	8000+ hours
UVC Wavelength	UV-C, 200nm-280nm, peak 254 nm	UV-C, 200nm-280nm, peak 254 nm
Beam Pattern	Flood	Flood
Footprint	30" x 30"	30" x 30"
Material	Lightweight Carbon Steel	Lightweight Carbon Steel
Mounting	4 wheels for portability	4 wheels for portability
Plug	110 – VOH Three-Prong Plug	110 – VOH Three-Prong Plug
Remote Operated	Key Fob included for remote activation	Key Fob included for remote activation

Space Dosage Estimator – Recommended placed in the middle of the room

8' x 8'	14' x 14'	20' x 20'	25' x 25'
5 minutes	6 minutes	11 minutes	12 minutes

This device is only effective on surfaces directly exposed to the UVC light emitted by this device. UVC light will not penetrate surfaces such as wood, fabric, metal or even opaque or clear materials such as plastic or glass

To learn more, visit:
www.apachesafespace.com

apache SAFESPACE SOLUTIONS

Tomahawk 8000 Application

The Tomahawk relies on UV-C technology to destroy microorganisms in the air and on hard surfaces. With the Coronavirus being lighter than air, it must attach to dust particles to land on a surface. The Tomahawk decontaminates large open spaces with 99.9% effectiveness of destroying microorganisms and viruses in which it comes in contact.



Tomahawk 8000 Traits

- Height: 77 inches
- Weight: 47 lbs.
- Voltage: 180 watts / 1.64 amps
- Bulbs: (4) 30 W Bulbs & (4) 15 W
- UV Output: 60 watts
- Bulb Life Time: 8000 hours
- UVC Wavelength: 200nm – 280 nm, peak 254 nm
- Beam Pattern: Flood
- Foot Print: 32" x 32"
- Material: Lightweight Carbon Steel
- Plug: 110 – VOH Three – Prong Plug
- Remote Operated: 2x Key Fob included for remote activation

Space Dosage Estimator – Recommended placed in the middle of the room			
8' x 8'	14' x 14'	20' x 20'	25' x 25'
5 minutes	6 minutes	11 minutes	12 minutes

AIRrow Light 2000

uv-c air treatment system

AIRrow Light 2000 Attributes

Dimensions	24" x 9" x 21" (L x W x H)
Weight	30 lbs.
Voltage	110 V / 2.94 amps
CFM	Cycles 175 cubic feet of air per minute
UVC	15 W UV-C Bulb
Wavelength	200nm – 280 nm, peak 254nm
Bulb Life	8000 hours

- For use in office spaces and homes
- Safe for use around people, pets, and plants
- Designed to run for hours of continuous air cycling

This unit features 4-stage filter system:

- 1st Stage** NFR 9 Washable Outer Nylon Mesh Filter
- 2nd Stage** NFS 13 Washable Nylon Mesh Filter
- 3rd Stage** CF 15 Activated Carbon Filter
- 4th Stage** HEPA35-33 Thick HEPA Filter - 2-inch thick High Efficiency Particulate Air (HEPA) filter captures 99.7% of airborne particles 0.3 micrometers in diameter



AIRrow Light 2000

uv-c air treatment system

AIRrow Light 2000 Attributes

Dimensions	28 1/2" x 6 3/4" x 12" (L x W x H)
Weight	17 lbs.
Voltage	110 V / .67 amps
CFM	Cycles 220 cubic feet of air per minute
UVC	15 W UV-C Bulb (2)
Wavelength	200nm – 280 nm, peak 254nm
Bulb Life	8000 hours

- For use in office spaces and homes
- Safe for use around people, pets, and plants
- Designed to run for hours of continuous air cycling

This unit features 3-stage filter system:

- 1st Stage** HRF-R3 Thick HEPA Filter – 1.5 inch thick High Efficiency Particulate Air (HEPA) filter captures 99.7% of airborne particles 0.3 micrometers in diameter
- 2nd Stage** UV-C Sterilization Chamber
- 3rd Stage** Activated Carbon Filter



AIRrowSwift 5000

uv-c hvac treatment system

Apache develops and delivers engineered products to reduce infinitesimally small risks at the greatest possible scale.

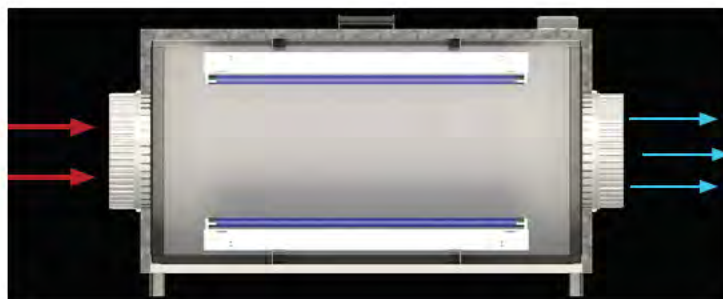
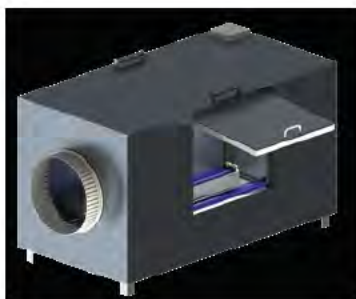
We create safer spaces with advanced technical solutions.



The science of the AIRrowSwift incorporates UV-C technology into existing air conditioning and filtration systems for small buildings, warehouses, as well as tents, trailers, and other facilities. The UV-C technology eradicates particles and viruses in the air as it passes through the AIRrowSwift chamber prior to allowing them to circulate through air vents.

The AIRrowSwift destroys dangerous microorganisms in the air.

- Sterilizes air entering occupied spaces such as tents, shops, small buildings, and warehouses
- Placed in-line as part of an external A/C package
- UV-C technology decontaminates air as it passes through
- Fully encased in 1-inch thick closed-cell insulation
- Four 30-Watt Germicidal UV-C Bulbs



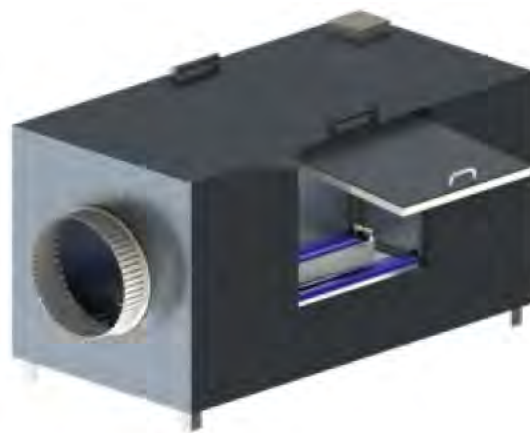
To learn more, visit:

www.apachesafespacesolutions.com

apache SAFESPACE SOLUTIONS

AIRrowSwift 5000 Attributes

Dimensions	51" x 33" x 33"
Weight	100 lbs.
Bulb	Six 36-inch 30 watt
Total Voltage	110 V / 180 watts / 1.64 amp draw
UV Output	60 watts
Bulb Life	8000 hours
UVC Wavelength	UV-C, 200nm – 280 nm peak 254 nm
Material	Light weight steel frame
Insulation	Fully encased 1-inch thick closed-cell insulation
Plug	110 – VOH Three – Prong Plug
Air Flow	Up to 5,500 cubic feet per minute



SafeSpace Support Line: (713) 830-1883, SafeSpaceSolutions@apacheip.com

AIRrowSwift 6000 Attributes

Dimensions	40" x 20" (L x W)
Weight	15 lbs. per panel
Bulb	4 bulbs for each panel
Total Voltage	110 V / 120 watts / 1.1 amps for each panel
UV Output	40 watts each panel
Bulb Life	8000 hours
UVC Wavelength	UV-C, 200nm – 280 nm, peak 254 nm
Material	Light weight steel
Airflow	Up to 5,500 cubic feet per minute

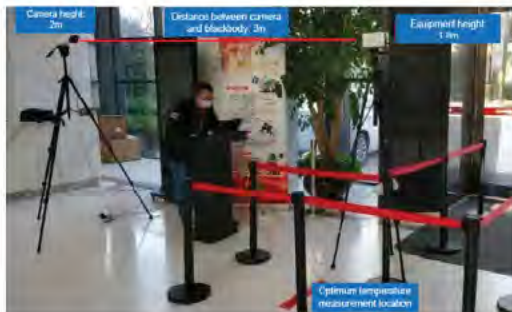


SafeSpace Support Line: (713) 830-1883, SafeSpaceSolutions@apacheip.com

Mass Temperature Screening System

Apache develops and delivers engineered products to reduce infinitesimally small risks at the greatest possible scale.

We create safer spaces with advanced technical solutions.



This advanced Mass Temperature Screening System allows for the rapid, highly reliable temperature scanning of large groups of people. Using infrared technology, the thermal fever scanning system utilizes cameras to quickly and accurately detect elevated temperature in people, identifying them with an imaged box on their forehead and temperature reading.

The system constructs instant heat readings, so that 5,000 people can be scanned using one system in less than 30 minutes. This dramatically lowers risk and decreases the time a potentially contaminated person is on the premises. The Mass Temperature Screening System detects elevated temperatures in large environments.

Large Volume Detection	Perfect for use in high-traffic environments. Capable of processing 5,000 individuals in 30 minutes.
Immediate Results	Real-time temperature readings appear as subjects pass in front of the infrared camera. Technician is alerted when the system detects a subject with elevated body temperature.
High Accuracy	Temperature readings with a $\pm 0.54^{\circ}\text{F}$ margin of error.
Portable and Adaptable	Light and easy to set up in different settings, including entrances, exits, transportation hubs, office buildings, schools, and more.
No Contact	An optimum temperature measurement distance of 9.84 feet between subjects and the system's infrared camera allows for effective social distancing.

To learn more, visit:
www.apachesafespace.com

apache SAFESPACE SOLUTIONS

Tomahawk 2000, 3000 & 8000 and **the Hatchet**

Freestanding UV-C Towers

READ AND
SAVE THIS
MANUAL



apache SAFESPACE SOLUTIONS

IMPORTANT SAFETY INSTRUCTIONS
READ AND SAVE THESE INSTRUCTIONS

Tomahawk 2000, Tomahawk 3000, Tomahawk 8000, and Hatchet (Tomahawk Light Towers) - ULTRAVIOLET GERMICIDAL DEVICES

UV-C LIGHT IS HAZARDOUS!



Danger symbol indicates an IMMEDIATELY hazardous situation, which if NOT avoided WILL result in death or serious injury.



Warning symbol indicates critical operational information.



Electric Shock symbol indicates the potential for Electrocutation hazard.



Ultraviolet Light warning symbol indicates the potential for eye and skin damage hazard.

The Tomahawk Ultraviolet Light Towers emit light in the UV-C spectrum (200 to 280 nanometers). Light in this bandwidth can cause serious injuries to eyes and skin. Protect yourself and others from possible serious injury. Keep children and animals away. Do not use this equipment without fully reading this Owner's Manual and fully understanding the hazards involved. Please read and follow all safety precautions noted herein.



This device emits UV-C Light that can burn eyes and skin!

- 1.) **WARNING:** Directly viewing the light produced by the lamp in this device WILL damage the eyes! Always wear safety glasses designed to block light in UV-C spectrum when exposed to the bulbs in this device. **Never look directly at any UV-C bulb when it is powered on!**

- 2.) **WARNING:** Directly expose skin to the light produced by the lamp in this device WILL damage the skin. Always cover all exposed skin with clothing.
- 3.) **WARNING:** Always disconnect power before replacing the lamps or other servicing. Replace Lamp with Lamp Model F30T8 (30") or G15T8 (15") Manufactured by DAMAR.
- 4.) **WARNING:** To reduce the risk of electric shock, do not expose to water or rain. This device is designed for indoor use only.
- 5.) **WARNING:** Do not operate the device with a damaged cord or plug. Discard the device or return it to an authorized service facility for examination and/or repair.
- 6.) **WARNING:** Do not cover the cord with throw rugs , runner, or similar coverings. Do not route the cord under furniture or appliances. Arrange the cord away from traffic areas and where it will not be tripped over.
- 7.) **WARNING:** Use this device only in enclosed areas. Never use this device in open spaces were people or animals cannot be kept out.
- 8.) **WARNING:** Anyone in the proximity of this device must follow the same precautions as Operators operating (using) this device.
- 9.) **WARNING:** Keep people, animals, and plants away whenever this device is being used.



This device contains electrical components that can cause injury or death.



- 1.) **WARNING:** Only Operators trained to operate this device should use it.
- 2.) **WARNING:** Only Operators trained to make modifications or repairs should repair or modify this device.
- 3.) **WARNING:** Electrical components can cause shock and kill.
- 4.) **WARNING:** Do not touch live electrodes or electrical parts.
- 5.) **WARNING:** Replace worn, damaged, or cracked cables.
- 6.) **WARNING:** Unplug the unit when not in use.

- 7.) WARNING: Handle and replace bulbs with care. Unplug the device when changing any of its bulbs.



This device uses UV-C bulbs that can be dangerous.

- 1.) WARNING: UV-C bulbs are under pressure and will explode if broken.
- 2.) WARNING: Wear safety glasses and protective gloves when installing or removing the bulbs.
- 3.) WARNING: Always unplug or disconnect the unit from the power supply outlet when removing or installing a bulb.
- 4.) WARNING: UV-C bulbs must NOT be used in any other fixture or device. UV-C bulbs are NOT for normal lighting purposes. **UV-C bulbs are NOT “blacklights”.**



OWNER / OPERATOR RESPONSIBILITY



This device must only be used in unoccupied areas.

It is the Owner / Operator’s responsibility to determine the suitability for usage of this device. Apache Industrial Services is not responsible for and makes no warranty or representation with respect to the suitability, usage, or performance of this device or to the results expected from its use. The Owner / Operator shall read and understand this Owner’s Manual and follow the directions provided herein.

Operators must read the section of this Owner’s Manual titled “SAFETY PRECAUTIONS” prior to usage. Failure to read, understand, and follow the precautions outlined in that section WILL lead to injury or death.



Operators must wear appropriate Personal Protective Equipment (PPE) when exposed to the bulbs in this device. This includes gloves, clothing that covers all exposed skin, and ultraviolet blocking safety glasses. **All exposed skin must be protected from exposure to the light emitted from these devices. Eyes must be protected from exposure to the light emitted from these devices.**

UV-C INFORMATION

Ultraviolet light is a part of the electromagnetic spectrum that falls in the region between X-Rays and visible light. UV-C light is ultraviolet light having wavelengths between 200 and 280 nanometers. UV-C light is often referred to as Ultraviolet Germicidal Irradiation (UVGI) and is a disinfection method that uses light in this spectrum to kill or inactivate microorganisms by disrupting their DNA. UV-C light can kill germs and infectious microorganisms such as viruses, bacterium, protozoan, prion, viroid, and fungi. It is commonly used in food, air, and water purification and sterilization applications.

The application of UVGI as a method of disinfection has been an accepted practice since the mid-20th century. It has been used primarily in medical sterilization and sterile work facilities. In recent years UVGI has found renewed application in air purifiers.



For human beings and other mammals' exposure to UV-C light can produce rapid sunburn and skin cancer and can produce extremely painful inflammation of the cornea and temporary or permanent vision impairment, up to and including blindness in some cases. Ultraviolet light can damage the retina of the eye. UV-C light can damage and kill plants directly exposed to the light. Consequently, Operators using bulbs that emit UV-C light must follow all applicable safety precautions.

DEVICE USAGE - OPERATION



This device should be used as part of the regular cleaning and disinfection program employed at your facility. It should not be considered a replacement for regular cleaning and disinfection. This device is only effective on surfaces directly exposed to the UV-C light emitted by this device. UV-C light will not penetrate surfaces such as wood, fabric, metal or even opaque or clear materials such as plastic or glass. It is important for the Owner / Operator to consider room configuration and preparation when determining placement of the device in order to obtain maximum exposure of all surfaces of concern.

This device does not produce any harmful byproducts such as ozone and does not leave any harmful residues.

The device is intended to be used as follows.

- 1.) Only Operators trained to operate this device should use it.
- 2.) Operators should follow all safety precautions noted in this Owner's Manual.
- 3.) The Operator must notify personnel in the room / area where the device will be used that sterilization will be performed and no personnel, animals, or plants are permitted in the room / area undergoing treatment.
- 4.) Place a "Sterilization in Progress - Do Not Enter" or similarly worded warning sign on each entrance to the room / area to be cleaned. See the WARNING SIGN section.
- 5.) Tomahawk Ultraviolet Light Towers are used to sterilize surfaces by killing and/or inactivating microorganisms. This is accomplished by running the Towers in rooms / areas for lengths of time that are sufficient to irradiate surfaces to be sterilized. Use Table 1 – Minimum Time Recommended to Sterilize Surfaces (minutes) below as a guide to determine length of time required to sterilize surfaces based on the proximity of the Tower to the surfaces to be sterilized.

- 6.) With the device turned off and unplugged, move the device to the room / area to be sterilized. Position the device in the most optimal position to expose the surfaces desired to be sterilized.
- 7.) It is suggested that a small fan be placed in the room / area. The fan should be run at its lowest setting and placed several feet away from and directed at the Tomahawk.
- 8.) Leave the room and plug in the device.



- 9.) **Verify no one is in the room / area. Use the remote fob to turn on the device. NEVER use the Tomahawk Ultralight in the presence of and never shine the Light on people, pets, or plants.**

- 10.) Most rooms / areas have many surfaces that need to be sanitized. These surfaces have many different shapes and orientations. Consequently, the Operator should put careful thought into where to place the Tomahawk to ensure the surfaces are adequately irradiated. This may require the Operator to move the device several times within one room / area to obtain the recommended exposure. **The Operator MUST ensure that the device is off before entering the room.**



- 11.) **The Operator should monitor the entrances to the room / area while the Tower is powered on and prohibit unauthorized entry.**
- 12.) After the recommended exposure time has elapsed, use the fob to turn off the device. Unplug the device before relocating it for further use.
- 13.) Upon completion of sterilization, remove each “Sterilization in Progress - Do Not Enter” warning sign placed on entrances to the room / area to be cleaned.
- 14.) Repeat these steps for each room / area having surfaces that are to be sterilized.

- 15.) When all sterilization work for the shift has been completed, engage the following actions to safely store the device.
 - a.) Unplug the device.
 - b.) Carefully move the device to a secure location to prevent unauthorized usage.
 - c.) If the device is to be stored for an extended period of time, remove and safely store the bulbs to prevent breakage and/or unauthorized usage.

Table 1 – Minimum Time Recommended to Sterilize Surfaces (minutes)
With Tomahawk placed in center of the room

Square Room Dimensions (feet):	Rectangular Room Dimensions (feet):	Distance from Center to Corner (feet):	Product:	
			Tomahawk 2000 & 8000 (4/8 Bulbs, 120/180 Watts)	Tomahawk 3000 (8 Bulbs, 240 Watts)
8 x 8	6.5 x 10	6 feet	5 mins	5 mins
14 x 14	11 x 16	10 feet	6 mins	6 mins
20 x 20	15 x 24	14 feet	11 mins	7 mins
25 x 25	20 x 30	18 feet	12 mins	8 mins

Square Room Dimensions (feet):	Rectangular Room Dimensions (feet):	Distance from Center to Corner (inches):	Product:
			Hatchet (4 Bulbs, 60 Watts)
4 x 4	3.5 x 5.0	36 inches	4 mins
5 x 5	4 x 5.5	42 inches	10 mins
6 x 6	5 x 7.5	54 inches	36 mins

The intensity and effectiveness of the UV-C light emitted by this device are a function of the distance between the Tower's bulbs and the surface to be sterilized and the length of time the surface is exposed to the UV-C light. The intensity of the UV-C light multiplied by the time of exposure is the dosage (treatment). Surfaces to be sterilized must be directly exposed to the UV-C light emitted from the device. UV-C light will not penetrate ordinary glass, paper, or cloth. Consequently, the Operator should put careful thought into where to place the Tower to ensure the path between the UV-C light source and the surfaces to be sterilized is unobstructed.

Table 1 – Minimum Time Recommended to Sterilize Surfaces (minutes) should be used as a guide to effective sterilization.



Please note that treatment results vary for a variety of operation, atmospheric, and usage conditions. It is recommended that culture tests be conducted to confirm desired results.

USER SERVICING INSTRUCTIONS

The Tomahawk Ultraviolet Light Towers are not expected to require any regular maintenance other than replacing the bulbs after several hundred hours of operation. The intensity of the light emitted by the bulbs can be expected to diminish with time. Adjust exposure time accordingly. Check bulbs to verify they are properly seated in clips on ballasts whenever bulbs are replaced.

The bulbs on the Tomahawk Ultraviolet Light Towers should be gently and carefully wiped off with a soft clean cotton cloth after every 100 hours of operation to remove dust on the bulbs that may reduce the amount of light emitted from the device.



The bulbs in this device are easily damaged. Exercise extreme care when removing, replacing, and wiping off the bulbs. Turn off and unplug the device and allow bulbs to cool to room temperature before replacing. Bulbs should not be touched with bare hands as oils on the skin will damage them. Skin oils will reduce the performance and lifespan of the UV-C bulbs. NEVER LOOK AT ANY UV-C BULB WHEN IT IS POWERED ON AS THE LIGHT EMMITTED BY THE BULB WILL DAMAGE THE EYES!

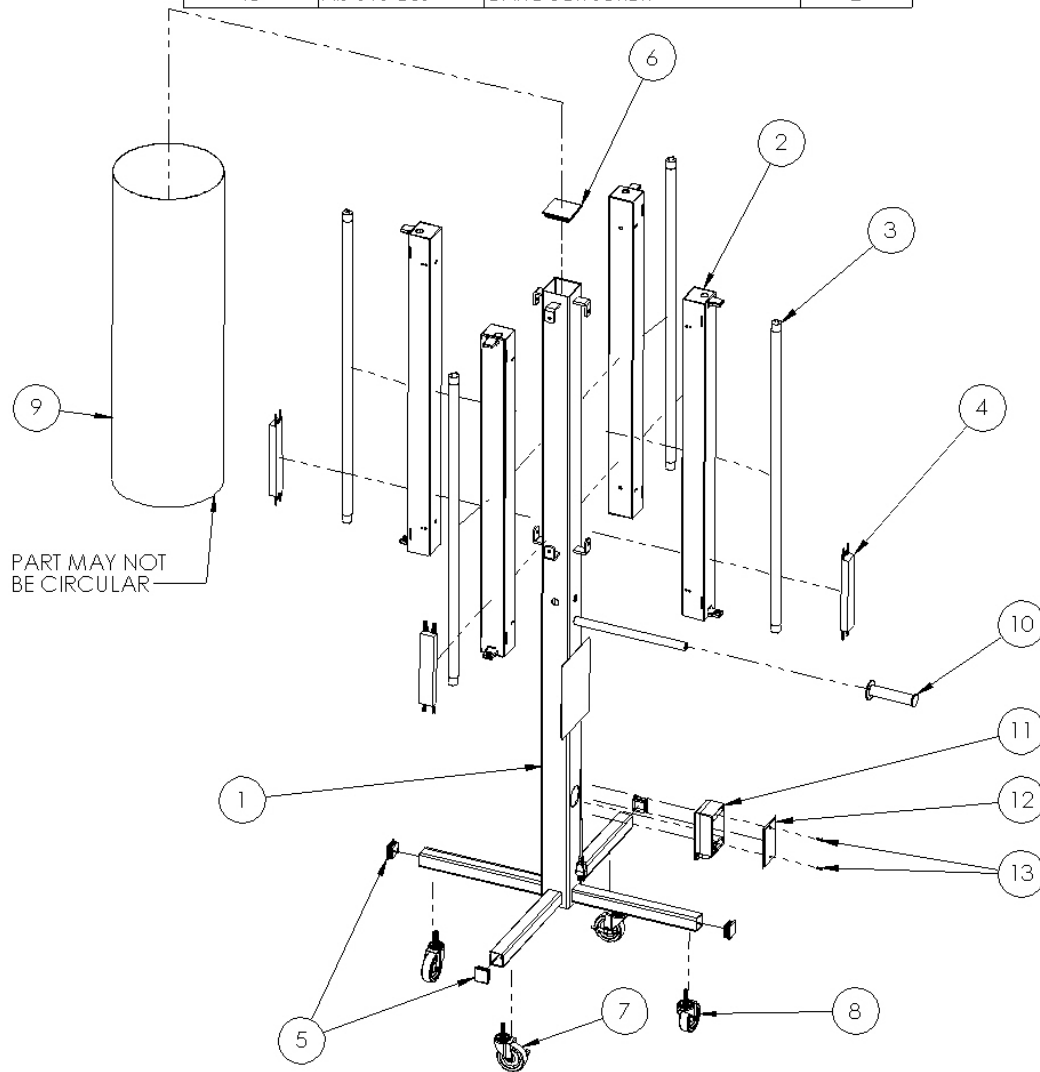
TROUBLESHOOTING

Trouble:	Potential Cause:	Remedy:
Unit will not turn on.	No Power	Check to make sure power cord is plugged in.
		Check fuse box to make sure circuit breaker is not tripped.
		Check to make sure power cord is not damaged.
Unit is buzzing or flickering.	UV-C Bulb	Make sure bulbs are seated correctly.
		Check ends of the bulbs for damage. If damaged or discolored replace the bulb.
		Bulb life may be at an end. Replace bulb.
	Ballast	If unit is older than 2 years, or if the unit has been utilized for more than 20,000 hours, the ballast may need to be replaced.
If unit is new, please contact SafeSpace Solutions Support Line at (713) 830 - 1883.		
Unit is smoking or ends of bulbs are burned.	Ballast	Unplug unit immediately! In rare cases, a ballast may be defective or has sustained damage. Please call the SafeSpace Solutions Support Line at (713) 830 - 1883.
Bulb is broken.	Bulb	Bulbs are susceptible to breaking if put under physical stress or strain (when removing or installing) or may break if they contact a hard surface. Unplug unit, carefully remove all remnants of the broken bulb, inspect the electrical contacts for damage or parts of the bulb and install a new bulb. If the any part of the device has been damaged, contact the SafeSpace Solutions Support Line at (713) 830 - 1883.
Unit is damaged.	Damage	If you feel that this device has been damaged by dropping, in shipping, flood, fire or any other means, please contact the SafeSpace Solutions Support Line at (713) 830 - 1883.
Slight odor is present after sterilization.	Effective Sterilization	Organic particles in the air are diminished when the device is operated. Slight odor is to be expected and is not a cause for alarm.

PARTS LIST AND DIAGRAM

Tomahawk 2000 (4 36" Bulbs)

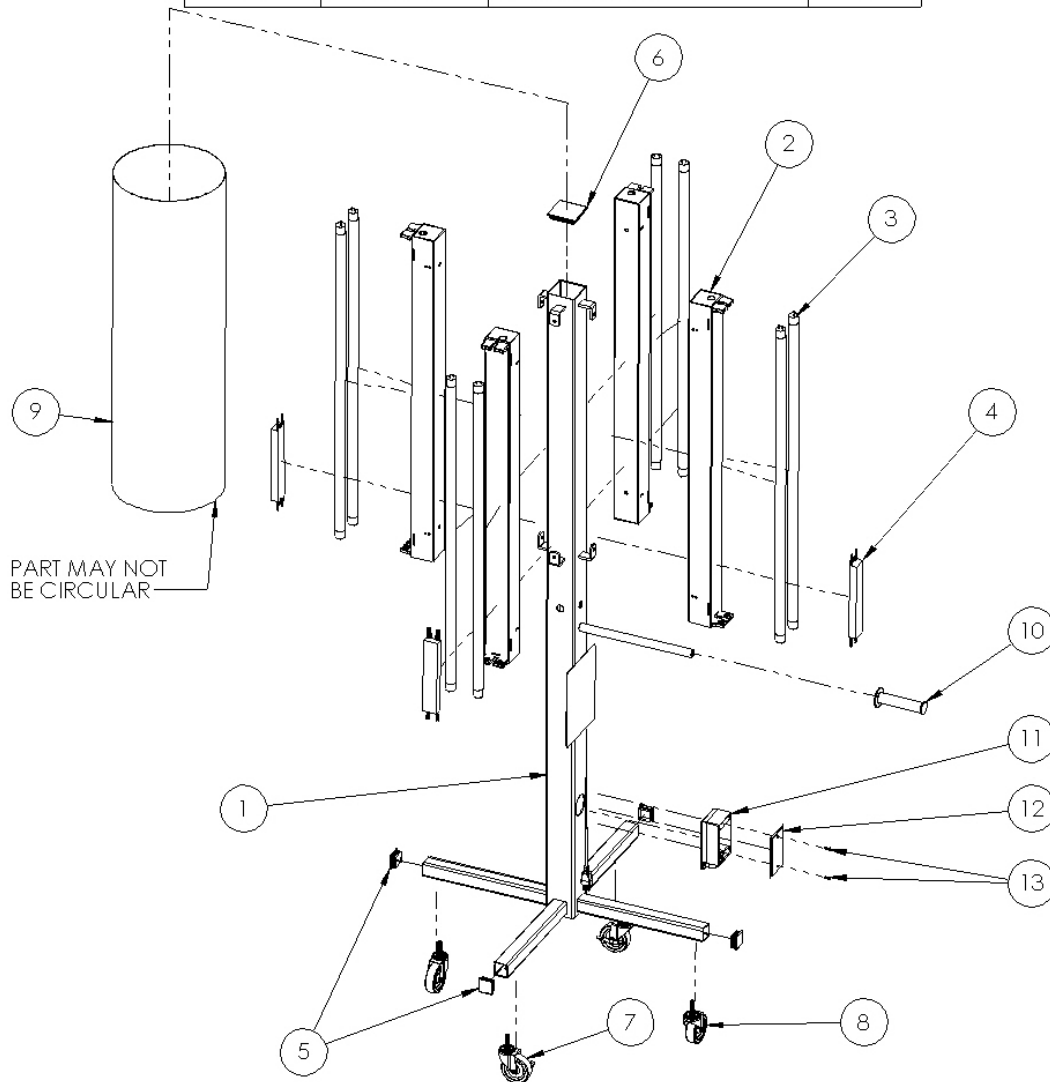
ITEM NO.	PART NUMBER	DESCRIPTION	QTY.
1	AIS-UVS-DW	TOMAHAWK-WELDMENT	1
2	AIS-UVS-ALF	UV LIGHT FIXTURE	4
3	AIS-UVS-ULB	UVC T8 BULB	4
4	AIS-UVS-BT8	BALLAST	4
5	AIS-UVS-I15SP	1.5" X 1.5" SQUARE PLUG	4
6	AIS-UVS-S30P	3" X 3" SQUARE PLUG	1
7	AIS-UVS-B3PCB	3" POST STEM CASTER WITH BRAKE	2
8	AIS-UVS-A3PC	3" POST STEM CASTER	2
9	AIS-UVS-MFH	CASE	1
10	AIS-UVS-FRH	RUBBER HANDLE	1
11	AIS-UVS-GB	GANG BOX	1
12	AIS-UVS-GBC	GANG BOX COVER	1
13	AIS-UVS-GBS	GANG BOX SCREW	2



PARTS LIST AND DIAGRAM

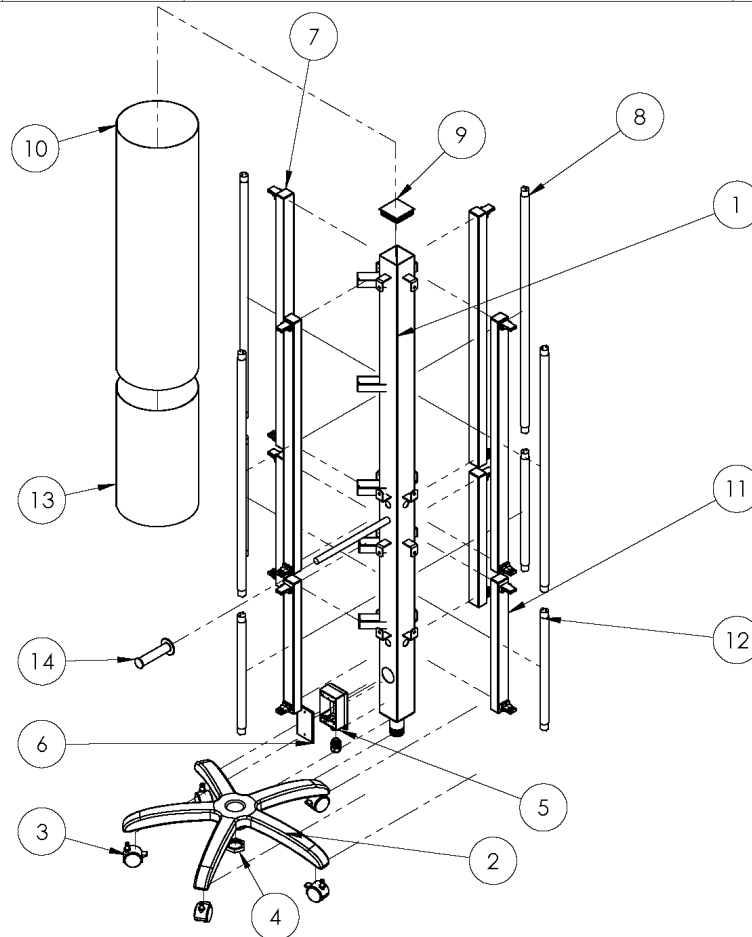
Tomahawk 3000 (8 36" Bulbs)

ITEM NO.	PART NUMBER	DESCRIPTION	QTY.
1	AIS-UVS-DW	TOMAHAWK-WELDMENT	1
2	AIS-UVS-ALF	UV LIGHT FIXTURE	4
3	AIS-UVS-ULB	UVC T8 BULB	8
4	AIS-UVS-BT8	BALLAST	4
5	AIS-UVS-I15SP	1.5" X 1.5" SQUARE PLUG	4
6	AIS-UVS-S30P	3" X 3" SQUARE PLUG	1
7	AIS-UVS-B3PCB	3" POST STEM CASTER WITH BRAKE	2
8	AIS-UVS-A3PC	3" POST STEM CASTER	2
9	AIS-UVS-MFH	CASE	1
10	AIS-UVS-FRH	RUBBER HANDLE	1
11	AIS-UVS-GB	GANG BOX	1
12	AIS-UVS-GBC	GANG BOX COVER	1
13	AIS-UVS-GBS	GANG BOX SCREW	2



PARTS LIST AND DIAGRAM
Tomahawk 8000 (4 18" and 4 36" Bulbs)

ITEM NO.	PART NUMBER	DESCRIPTION	QTY.
1	AIS-UVS-THK	TOMAHAWK 8000-POST	1
2	AIS-UVS-CHR	ALUMINUM CHAIR BASE	1
3	AIS-UVS-WHL	CHAIR BASE CASTERS	5
4	AIS-UVS-NUT	CHAIR BASE LOCKNUT	1
5	AIS-UVS-GB	GANG BOX	1
6	AIS-UVS-GBC	GANG BOX COVER	1
7	AIS-UVS-ALF-36	UV LIGHT FIXTURE 36"	4
8	AIS-UVS-ULB-36	UVC T8 BULB 36"	4
9	AIS-UVS-PLG	SQUARE TUBE PE CAP	1
10	AIS-P-26-36	CYLINDRICAL CASE - 36"	1
11	AIS-UVS-ALF-18	UV LIGHT FIXTURE 18"	4
12	AIS-UVS-ULB-18	UVC T8 BULB 18"	4
13	AIS-P-26-18	CYLINDRICAL CASE - 18"	1
14	AIS-UVS-RH	RUBBER HANDLE	1

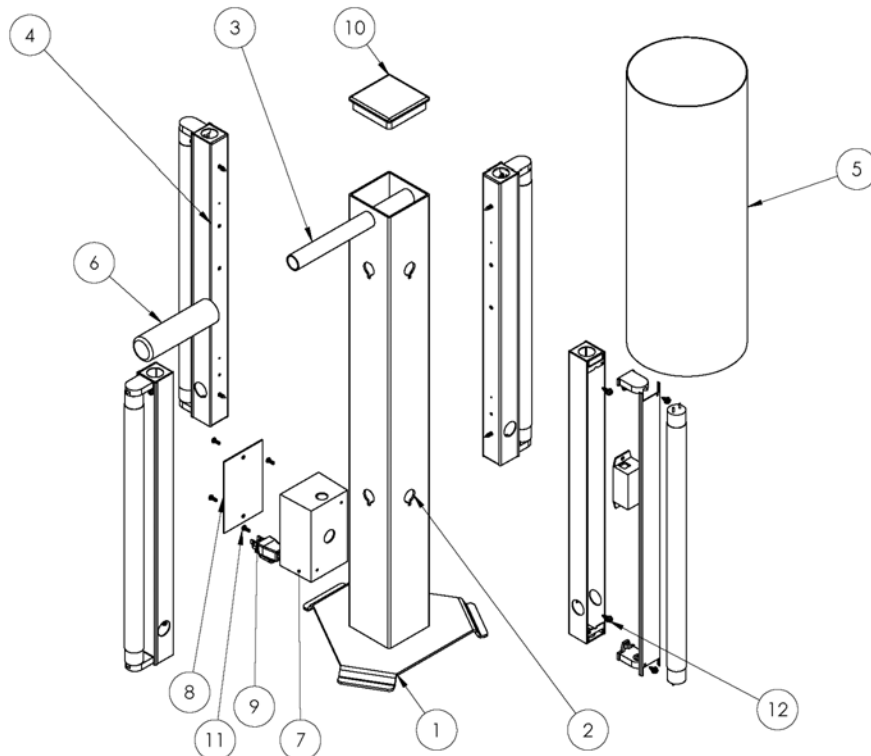


PARTS LIST AND DIAGRAM

Hatchet (4 18" Bulbs)

HATCHET

ITEM NO.	PART NUMBER	DESCRIPTION	QTY.
1	AIS-SSS-HCHT-001	Hatchet Base Plate	1
2	AIS-SSS-HCHT-002	Hatchet Weldment	1
3	AIS-SSS-HCHT-003	Hatchet Handle Tube	1
4	AIS-SSS-HCHT-004	T8 Light Fixture 18" Assembly	4
5	AIS-SSS-HCHT-005	Hatchet Shroud	1
6	AIS-SSS-HCHT-006	Hatchet Rubber Handle	1
7	AIS-SSS-HCHT-007	Electrical Box	1
8	AIS-SSS-HCHT-008	Electrical Box Cover	1
9	AIS-SSS-HCHT-009	3" Plug	1
10	AIS-SSS-HCHT-010	Weldment Cap	1
11	90272A 146	6-32 x .375" Round Head phillips screws	5
12	90054A 194	8-32 x .375" Flanged Hex Head Sheet Metal Screws	8



WARNING SIGN



DANGER!
DECONTAMINATION IN PROGRESS
DO NOT ENTER!

CAUTION
UV-C SANITIZER IN USE

This machine emits ultraviolet light in the 200 to 280 nanometer wavelength which can PERMANENTLY DAMAGE HUMAN EYESIGHT. Personnel are prohibited from being in this room/area when the UV-C Sanitizer is in use.

IN NO CIRCUMSTANCE shall anyone ever look at the lamps in the UV-C Sanitizer while it is in operation.

30 DAY LIMITED WARRANTY

Tomahawk products are warranted to be free from defects in materials and workmanship for a period of 30 days from the date of purchase. Use of the product in a manner that fails to conform to the safety guidelines and warnings pertaining to the product can cause potentially serious injuries. User assumes the risk of any use of the product not in strict compliance with all guidelines and warnings. Product should only be used in appropriate equipment designed to operate and constructed for use with such products. Improper or abnormal use, or use in defective equipment, voids all warranty. In the case of defective material or workmanship, Apache Industrial Services, Inc. will repair or replace the product, at Apache's sole option. **THE WARRANTY AND REMEDY SET FORTH HEREIN IS EXCLUSIVE AND IS IN LIEU OF ALL OTHER WARRANTIES, EXPRESS OR IMPLIED, INCLUDING ANY IMPLIED WARRANTY OF MERCHANTABILITY OR FITNESS FOR A PARTICULAR PURPOSE AND EXCLUDES ANY OTHER WARRANTY OR REMEDIES.**

Apache neither assumes nor authorizes any other person to assume any other obligation or liability or to grant any additional warranty. You shall not be entitled to recover from Apache any consequential damages, damages to property, damages for loss of use, loss of time, loss of profits or income or any other incidental damages in any way arising out of or connected with the use or misuse of our products.

Some states do not allow the disclaimer of implied warranty. Some states allow only a partial limitation on implied warranties to limit the duration of the implied warranty to the duration of the express warranty. In such states, the duration of implied warranties is hereby expressly limited to the duration of the express warranty on the face hereof. This warranty gives you specific legal rights. You may also have other rights which vary from state to state.

REVISION HISTORY

Revision Number:	Description of Revision(s):	Revised by:	Date Revised:
0	Original Issue	JPhoenix	May 18, 2020
1	Information for Tomahawk 8000 added.	JPhoenix	August 12, 2020
2	Information for Hatchet added. Reference to the cover removed from the Device Usage and Operation section, bullet #15.	JPhoenix	September 24, 2020
3	Verbiage revised to conform to UL LLC requirements. Email address for Technical Support changed from UVSales@ApacheIP.com to SafeSpaceSolutions@ApacheIP.com.	JPhoenix	October 23, 2020

CONTACT INFORMATION

SafeSpace Solutions Support Line: (713) 830 - 1883
Email: SafeSpaceSolutions@ApacheIP.com

AIRrow 2000 2.0

Air Treatment System



READ AND
SAVE THIS
MANUAL

apache SAFESPACE SOLUTIONS

IMPORTANT SAFETY INSTRUCTIONS
READ AND SAVE THESE INSTRUCTIONS

**AIRrow 2000 2.0 - ULTRAVIOLET GERMICIDAL
DEVICE**

UV-C LIGHT IS HAZARDOUS!



Danger symbol indicates an IMMEDIATELY hazardous situation, which if NOT avoided WILL result in death or serious injury.



Warning symbol indicates critical operational information.



Electric Shock warning symbol indicates the potential for electrocution hazard.



Ultraviolet Light warning symbol indicates the potential for eye and skin damage hazard.



Fan warning symbol indicates the potential for injury to fingers and body parts from rotating fan blades hazard.

The AIRrow 2000 2.0 emits light in the UV-C spectrum (200 to 280 nanometers). Light in this bandwidth can cause serious injuries to eyes and skin. Protect yourself and others from possible serious injury. Keep children and animals away. Do not use this equipment without fully reading this Owner's Manual and fully understanding the hazards involved. Please read and follow all safety precautions noted herein.



This device emits UV-C Light that can burn eyes and skin!

Follow these practices to ensure safety is maintained.

- 1.) **WARNING:** Directly viewing the light produced by the lamp in this device **WILL** damage the eyes! Always wear safety glasses designed to block light in UV-C spectrum when exposed to the bulbs in this device. **Never look directly at any UV-C bulb when it is powered on!**
- 2.) **WARNING:** Directly expose skin to the light produced by the lamp in this device **WILL** damage the skin. Always cover all exposed skin with clothing.
- 3.) Always disconnect power before replacing the lamps or other servicing. Replace Lamp With Lamp Model No. 3000007 Manufactured by USHIO.
- 4.) **WARNING:** To reduce the risk of electric shock, do not expose to water or rain. This device is designed for indoor use only.
- 5.) **WARNING:** Do not operate the device a damaged cord or plug. Discard the device or return to an authorized service facility for examination and/or repair.
- 6.) **WARNING:** Do not cover cord with throw rugs , runner, or similar coverings. Do not route cord under furniture or appliances. Arrange cord away from traffic areas and where it will not be tripped over.
- 7.) **WARNING:** Use this device only in enclosed areas.
- 8.) **WARNING:** "To Reduce The Risk Of Fire Or Electric Shock, Do Not Use This Fan With Any Solid-State Speed Control Device.



This device contains electrical components that can cause injury or death.



- 1.) **WARNING:** Only Operators trained to make modifications or repairs should repair or modify this device.
- 2.) **WARNING:** Electrical components can cause shock and kill.
- 3.) **WARNING:** Do not touch live electrodes or electrical parts.

- 4.) WARNING: Replace worn, damaged, or cracked cables.
- 5.) WARNING: Unplug the device when not in use.
- 6.) WARNING: Handle and replace bulbs with care. Unplug the device when changing any of its bulbs.
- 7.) WARNING: This device contains a ground fault circuit interrupter (“GFCI”). Press the TEST button and then the RESET button on the GFCI at least once every month to assure proper operation.



This device uses UV-C bulbs that can be dangerous.

- 1.) WARNING: UV-C bulbs are under pressure and will explode if broken.
- 2.) WARNING: Wear safety glasses and protective gloves when installing or removing the bulbs.
- 3.) WARNING: Always unplug or disconnect the device from the power supply outlet when removing or installing a bulb.
- 4.) WARNING: UV-C bulbs must NOT be used in any other fixture or device. UV-C bulbs are NOT for normal lighting purposes. **UV-C bulbs are NOT “blacklights”.**



This device includes a fan that can be dangerous.

- 1.) WARNING: Always unplug or disconnect the device from the power supply outlet when changing the HEPA filter.
- 2.) WARNING: Never insert fingers into the space where the blades of the fan rotate.
- 3.) WARNING: Keep pets away from the fan in this device.

OWNER / OPERATOR RESPONSIBILITY



It is the Owner / Operator's responsibility to determine the suitability for usage of this device. Apache Safespace Solutions is not responsible for and makes no warranty or representation with respect to the suitability, usage, or performance of this device or to the results expected from its use. The Owner / Operator shall read and understand this Owner's Manual and follow the directions provided herein.

Operators must read the section of this Owner's Manual titled "SAFETY PRECAUTIONS" prior to usage. Failure to read, understand, and follow the precautions outlined in that section WILL lead to injury or death.



Operators must wear appropriate Personal Protective Equipment (PPE) when exposed to the bulbs in this device. This includes gloves, clothing that covers all exposed skin, and ultraviolet blocking safety glasses. **All exposed skin must be protected from exposure to the light emitted from these devices. Eyes must be protected from exposure to the light emitted from these devices.**

UV-C INFORMATION

Ultraviolet light is a part of the electromagnetic spectrum that falls in the region between X-Rays and visible light. UV-C light is ultraviolet light having wavelengths between 200 and 280 nanometers. UV-C light is often referred to as Ultraviolet Germicidal Irradiation (UVGI) and is a disinfection method that uses light in this spectrum to kill or inactivate microorganisms by disrupting their DNA. UV-C light can kill germs and infectious microorganisms such as viruses, bacterium, protozoan, prion, viroid, and fungi. It is commonly used in food, air, and water purification and sterilization applications.

The application of UVGI as a method of disinfection has been an accepted practice since the mid-20th century. It has been used primarily in medical sanitation and sterile work facilities. In recent years UVGI has found renewed application in air purifiers.



For human beings and other mammals exposure to UV-C light can produce rapid sunburn and skin cancer and can produce extremely painful inflammation of the cornea and temporary or permanent vision impairment, up to and including blindness in some cases. Ultraviolet light can damage the retina of the eye. UV-C light can damage and kill plants directly exposed to the light. Consequently, Operators using bulbs that emit UV-C light must follow all applicable safety precautions.

DEVICE USAGE - OPERATION



This device should be used as part of the regular cleaning and disinfection program used in your home or office. It should not be considered a replacement for regular cleaning and disinfection.

This device does not produce any harmful byproducts such as ozone and does not leave any harmful residues.

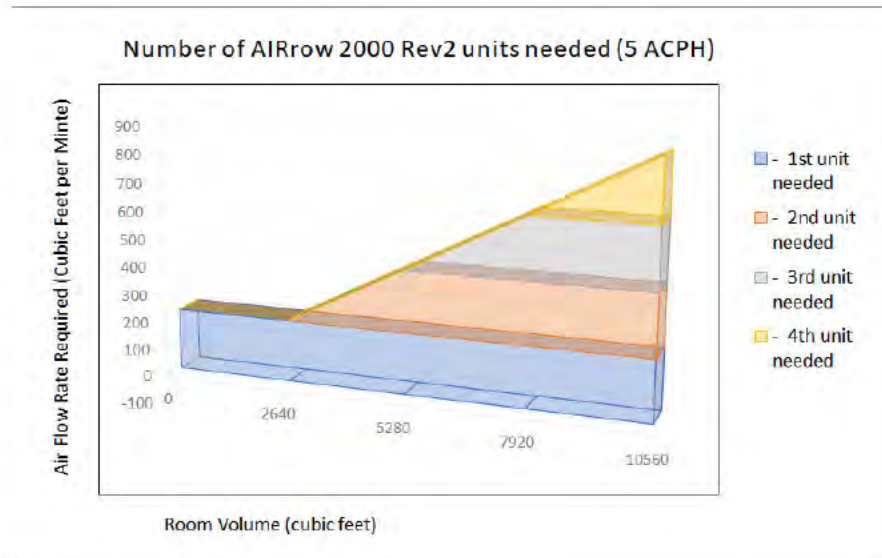
The device is intended to be used as follows.

- 1.) Operators should follow all safety precautions noted in this Owner's Manual.
- 2.) AIRrow 2000 2.0s are used to remove particulate matter and microorganisms from and sterilize air streams. This is accomplished by moving the air over the built in HEPA filter and through the chamber where the UV-C germicidal bulbs are housed. Plug in the device and allow it to run continuously.
- 3.) The AIRrow 2000 2.0 is most effective when it is placed in the center of the room and air flow to the device is not impeded by furniture or cabinetry.
- 4.) The ANSI/ASHRAE Standard 62-2001 - Ventilation for Acceptable Indoor Air Quality standard indicates a typical office space should have at least five (5) air changes per hour (ACPH). The "Air Flow Rate Requirements by Room Volume" table below notes Air Flow Rate Requirements based on five (5) ACPH. Following is the formula for Air Flow Rate based on ACPH.

$$\text{Air Flow Rate (ft}^3 \text{ per minute)} = \frac{\text{ACPH} \times \text{Room Volume (ft}^3\text{)}}{60 \text{ (seconds)}}$$

Air Flow Rate Requirements by Typical Room Volume		
Room Dimensions (feet):	Room Volume (cubic feet):	Air Flow Rate Requirement (cubic feet per minute)
10 x 10 x 8	800	67
10 x 18 x 10	1800	150
15 x 15 x 10	2250	188
15 x 15 x 11.7	2640	220
20 x 18 x 10	3600	300
20 x 20 x 10	4000	333
25 x 20 x 10	5000	417
20 x 20 x 13.2	5280	440
25 x 25 x 10	6250	521
30 x 25 x 10	7500	625
25 x 25 x 12.7	7920	660
30 x 25 x 12	9000	750

5.) Multiple AIRrow 2000 2.0 devices may be needed to treat large rooms. The “Number of AIRrow 2000 2.0 devices needed (5 ACPH)” diagram below indicates the number of devices needed based on Room Volume. For example, two (2) AIRrow 2000 2.0 devices would be needed to treat a room having a volume of 2,640 ft³ (15’ by 15’ by 11.7’) to 5,280 ft³ (20’ by 20’ by 13.2’) to satisfy the five (5) ACPH requirement.



- 6.) Some cautions apply. Most rooms and offices are supplied with air through HVAC systems. The calculations for Air Flow Rate Requirements noted above assume that there is no air entering or leaving the room while the AIRrow 2000 2.0 device is running. Extra air flow from HVAC systems can dilute the impact of the AIRrow 2000 2.0 device.
- 7.) Move the AIRrow 2000 2.0 from room to room or office to office to sterilize the air in a house or office space.
- 8.) Remove and clean the outer cover of the HEPA filter as needed based on visual assessment of presence of debris. The cover is machine washable. Replace the HEPA filter after every 1000 hours of operation or when fouled with dirt and/or debris.
- 9.) When the desired sterilization work has been completed, engage the following actions to safely store the device.
 - a.) Unplug the device.
 - b.) Carefully move the device to a secure location to prevent unauthorized usage.
 - c.) If the AIRrow 2000 2.0 is to be stored for an extended period of time, remove the bulbs to prevent breakage or unauthorized usage.



Please note that treatment results vary for a variety of operation, atmospheric, and usage conditions. It is recommended that culture tests be conducted to confirm desired results.

USER SERVICING INSTRUCTIONS

HEPA Filter – The HEPA filter should be replaced after every 1000 hours of operation.

Changing Filters - Turn off and unplug the device from the power supply and use a Phillips head screwdriver to remove the cover. Carefully remove the HEPA filter by sliding it from its bracket fan. Reverse the process to install a replacement filter.

Bulbs – The intensity of the light emitted by the bulbs can be expected to diminish with time. Adjust exposure time accordingly. The UV-C bulbs should be replaced after several hundred hours of operation.

Changing Bulbs - Turn off and unplug the device from the power supply and use a Phillips head screwdriver to remove the cover. Carefully remove the bulb by rotating it one quarter turn until its leads are free to slip past the bracket. Push the bulb slightly against one bracket and slide the opposing end of the bulb away from the bracket. Reverse the process to install a replacement bulb. Check each bulb to verify it is properly seated in the clips on the bracket whenever a bulb is replaced.

The bulbs on the AIRrow 2000 2.0 should be gently and carefully wiped off with a soft clean cotton cloth after every 100 hours of operation to remove dust on the bulbs that may reduce the amount of light emitted from the device.



The bulbs in this device are easily damaged. Exercise extreme care when removing, replacing, and wiping off the bulbs. Turn off and unplug the device from the power supply outlet and allow the bulbs to cool to room temperature before replacing. The bulbs should not be touched with bare hands as oils on the skin will damage them. Skin oils will reduce the performance and lifespan of UV-C bulbs. NEVER LOOK AT ANY UV-C BULB WHEN IT IS POWERED ON AS THE LIGHT EMMITTED BY THE BULB WILL DAMAGE THE EYES!

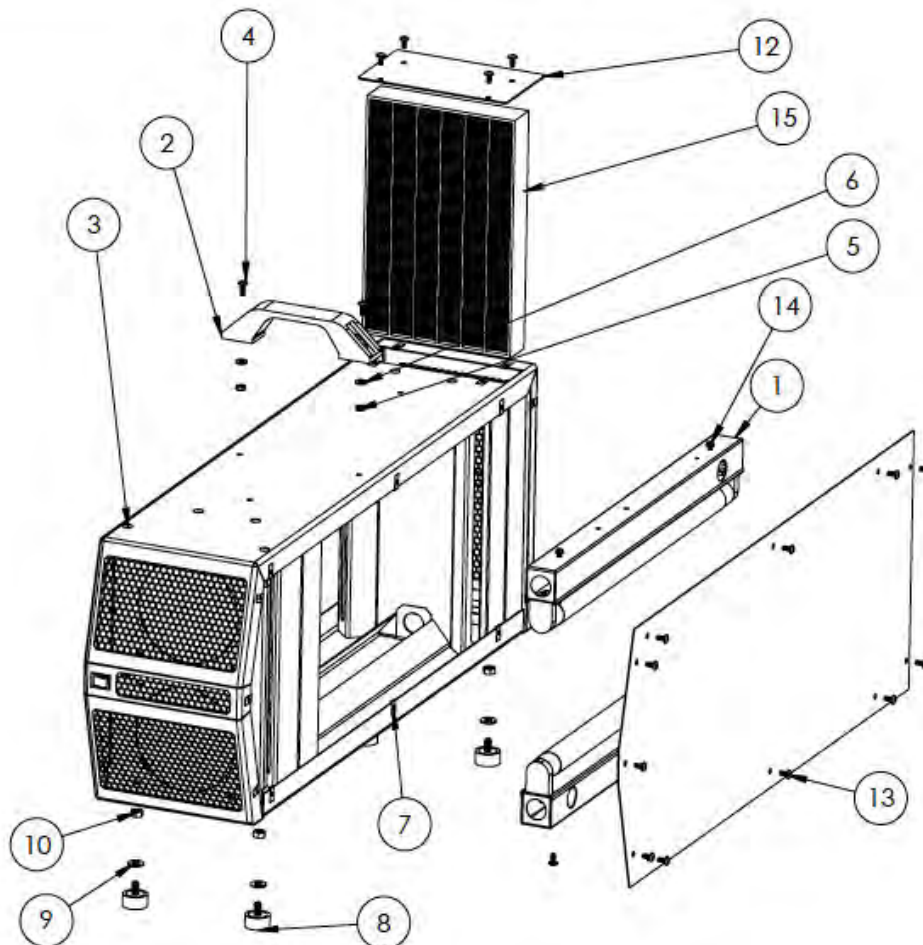
TROUBLESHOOTING

Trouble:	Potential Cause:	Remedy:
Unit will not turn on.	No Power	Check to make sure power cord is plugged in.
		Check to make sure power cord is not damaged.
Unit is buzzing or flickering.	UV-C Bulb	Make sure bulb is seated correctly.
		Check ends of bulb for damage. If damaged or discolored replace the bulb.
		Bulb life may be at an end. Replace bulb.
	Ballast	If device is older than 2 years, or if the device has been utilized for more than 20,000 hours, the ballast may need to be replaced.
If device is new, please contact SafeSpace Solutions Support Line at (713) 830 - 1883.		
Unit is smoking or ends of bulb is burned.	Ballast	Unplug device immediately! In rare cases, a ballast may be defective or has sustained damage. Please call the SafeSpace Solutions Support Line at (713) 830 - 1883.
Bulb is broken.	Bulb	Bulbs are susceptible to breaking if put under physical stress or strain (when removing or installing) or may break if they contact a hard surface. Unplug device, carefully remove all remnants of the broken bulb, inspect the electrical contacts for damage or parts of the bulb and install a new bulb. If the any part of the device has been damaged, contact the SafeSpace Solutions Support Line at (713) 830 - 1883.
Unit is damaged.	Damage	If you feel that this device has been damaged by dropping, in shipping, flood, fire or any other means, please contact the SafeSpace Solutions Support Line at (713) 830 - 1883.
Slight odor is present after sterilization.	Effective Sterilization	Organic particles in the air are diminished when the device is operated. Slight odor is to be expected and is not a cause for alarm.

PARTS LIST AND DIAGRAM

AIRrow 2000 2.0 (2 18" Bulbs)

ITEM NO.	PART NUMBER	DESCRIPTION	QTY.
1	AIS-SSS-001	UVC LIGHT BULB ASSEMBLY	2
2	AIS-SSS-002	AIRROW 2000 2.0 HANDLE	1
3	AIS-SSS-003	3/16" ALUMINUM RIVET	29
4	AIS-SSS-004	8-32 x 1/2" SCREW	2
5	AIS-SSS-005	8-32 HEX NUT	10
6	AIS-SSS-006	8-32 STANDARD WASHER	10
7	AIS-SSS-007	8-32 U-TYPE NUT	15
8	AIS-SSS-008	BOTTOM FEET, 1/4-20 STUD	4
9	AIS-SSS-009	1/4" STANDARD WASHER	4
10	AIS-SSS-010	1/4-20 HEX NUT	4
15	AIS-SSS-AIRROW2-FILTER	TYPE R HEPA FILTER	1
11	AIS-SSS-AIRROW2-SIDE	SIDE PANEL	1
12	AIS-SSS-AIRROW2-FILTER_PANEL	FILTER ACCESS PANEL	1
13	AIS-SSS-011	8-32 x 3/8" FLANGED BUTTON HEAD SOCKET CAP SCREW	15
14	AIS-SSS-012	NO. 6 x 1/2" SHEET METAL SCREW	4



30 DAY LIMITED WARRANTY

AIRrow products are warranted to be free from defects in materials and workmanship for a period of 30 days from the date of purchase. Use of the product in a manner that fails to conform to the safety guidelines and warnings pertaining to the product can cause potentially serious injuries. User assumes the risk of any use of the product not in strict compliance with all guidelines and warnings. Product should only be used in appropriate equipment designed to operate and constructed for use with such products. Improper or abnormal use, or use in defective equipment, voids all warranty. In the case of defective material or workmanship, Apache Safespace Solutions, Inc. will repair or replace the product, at Apache's sole option. **THE WARRANTY AND REMEDY SET FORTH HEREIN IS EXCLUSIVE AND IS IN LIEU OF ALL OTHER WARRANTIES, EXPRESS OR IMPLIED, INCLUDING ANY IMPLIED WARRANTY OF MERCHANTABILITY OR FITNESS FOR A PARTICULAR PURPOSE AND EXCLUDES ANY OTHER WARRANTY OR REMEDIES.** Apache neither assumes nor authorizes any other person to assume any other obligation or liability or to grant any additional warranty. You shall not be entitled to recover from Apache any consequential damages, damages to property, damages for loss of use, loss of time, loss of profits or income or any other incidental damages in any way arising out of or connected with the use or misuse of our products.

Some states do not allow the disclaimer of implied warranty. Some states allow only a partial limitation on implied warranties to limit the duration of the implied warranty to the duration of the express warranty. In such states, the duration of implied warranties is hereby expressly limited to the duration of the express warranty on the face hereof. This warranty gives you specific legal rights. You may also have other rights which vary from state to state.

REVISION HISTORY

Revision Number:	Description of Revision(s):	Revised by:	Date Revised:
0	Original Issue – Owner’s Manual created to describe AIRrow 2000 1.0 which can treat 1,800 ft ³ and has one UV-C bulb.	JPhoenix	May 27, 2020
1	Owner’s Manual revised to include attributes of AIRrow 2000 2.0 one of which can treat 2,640 ft ³ and has two UV-C bulbs. Revision History added. 3D isometric rendering and exploded view of AIRrow 2000 2.0 added.	JPhoenix	September 14, 2020
2	Verbiage revised to conform to UL LLC requirements. Instructions added to explain how to change the filter and bulbs.	JPhoenix	October 14, 2020
3	Instruction to check GFCI on a monthly basis added. Email address for Technical Support changed from UVSales@ApacheIP.com to SafeSpaceSolutions@ApacheIP.com.	JPhoenix	October 23, 2020

CONTACT INFORMATION

SafeSpace Solutions Support Line: (713) 830 - 1883

Email: SafeSpaceSolutions@ApacheIP.com

Tomahawk Ultra-Light

Handheld UV-C Device



READ AND
SAVE THIS
MANUAL

apache SAFESPACE SOLUTIONS

IMPORTANT SAFETY INSTRUCTIONS
READ AND SAVE THESE INSTRUCTIONS

**Tomahawk Ultralight - ULTRAVIOLET
GERMICIDAL DEVICE**

UV-C LIGHT IS HAZARDOUS!



Danger symbol indicates an IMMEDIATELY hazardous situation, which if NOT avoided WILL result in death or serious injury.



Warning symbol indicates critical operational information.



Electric Shock symbol indicates the potential for Electrocutation hazard.



Ultraviolet Light warning symbol indicates the potential for eye and skin damage hazard.

The Tomahawk Ultralight emits light in the UV-C spectrum (200 to 280 nanometers). Light in this bandwidth can cause serious injuries to eyes and skin. Protect yourself and others from possible serious injury. Keep children and animals away. Do not use this equipment without fully reading this Owner's Manual and fully understanding the hazards involved. Please read and follow all safety precautions noted herein.



This device emits UV-C Light that can burn eyes and skin!

- 1.) **WARNING:** Directly viewing the light produced by the lamp in this device WILL damage the eyes! Always wear safety glasses designed to block light in UV-C spectrum when exposed to the bulbs in this device. **Never look directly at any UV-C bulb when it is powered on!**
- 2.) **WARNING:** Directly expose skin to the light produced by the lamp in this device WILL damage the skin. Always cover all exposed skin with clothing.

- 3.) WARNING: Always disconnect power before replacing the lamps or other servicing. Replace Lamp with Lamp Model G15T8 (15") Manufactured by DAMAR.
- 4.) WARNING: To reduce the risk of electric shock, do not expose to water or rain. This device is designed for indoor use only.
- 5.) WARNING: Do not operate the device with a damaged cord or plug. Discard the device or return it to an authorized service facility for examination and/or repair.
- 6.) WARNING: Do not cover the cord with throw rugs , runner, or similar coverings. Do not route the cord under furniture or appliances. Arrange the cord away from traffic areas and where it will not be tripped over.
- 7.) WARNING: Use this device only in enclosed areas. Never use this device in open spaces were people or animals cannot be kept out.
- 8.) WARNING: Anyone in the proximity of this device must follow the same precautions as Operators operating (using) this device.
- 9.) WARNING: Keep people, animals, and plants away whenever this device is being used.



This device contains electrical components that can cause injury or death.



- 1.) WARNING: Only Operators trained to operate this device should use it.
- 2.) WARNING: Only Operators trained to make modifications or repairs should repair or modify this device.
- 3.) WARNING: Electrical components can cause shock and kill.
- 4.) WARNING: Do not touch live electrodes or electrical parts.
- 5.) WARNING: Replace worn, damaged, or cracked cables.
- 6.) WARNING: Unplug the device when not in use.
- 7.) WARNING: Handle and replace bulbs with care. Unplug the device when changing any of its bulbs.



This device uses UV-C bulbs that can be dangerous.

- 1.) WARNING: UV-C bulbs are under pressure and will explode if broken.
- 2.) WARNING: Wear safety glasses and protective gloves when installing or removing the bulbs.
- 3.) WARNING: Always unplug or disconnect the device from the power supply outlet when removing or installing a bulb.
- 4.) WARNING: UV-C bulbs must NOT be used in any other fixture or device. UV-C bulbs are NOT for normal lighting purposes. **UV-C bulbs are NOT “blacklights”.**

OWNER / OPERATOR RESPONSIBILITY



This device must only be used in unoccupied areas.

It is the Owner / Operator’s responsibility to determine the suitability for usage of this device. Apache Technical Services is not responsible for and makes no warranty or representation with respect to the suitability, usage, or performance of this device or to the results expected from its use. The Owner / Operator shall read and understand this Owner’s Manual and follow the directions provided herein.

Operators must read the section of this Owner’s Manual titled “SAFETY PRECAUTIONS” prior to usage. Failure to read, understand, and follow the precautions outlined in that section WILL lead to injury or death.



Operators must wear appropriate Personal Protective Equipment (PPE) when exposed to the bulbs in this device. This includes gloves, clothing that covers all exposed skin, and ultraviolet blocking safety glasses. **All exposed skin must be protected from exposure to the light emitted from these devices. Eyes must be protected from exposure to the light emitted from these devices.**

UV-C INFORMATION

Ultraviolet light is a part of the electromagnetic spectrum that falls in the region between X-Rays and visible light. UV-C light is ultraviolet light having wavelengths between 200 and 280 nanometers. UV-C light is often referred to as Ultraviolet Germicidal Irradiation (UVGI) and is a disinfection method that uses light in this spectrum to kill or inactivate microorganisms by disrupting their DNA. UV-C light can kill germs and infectious microorganisms such as viruses, bacterium, protozoan, prion, viroid, and fungi. It is commonly used in food, air, and water purification and sterilization applications.

The application of UVGI as a method of disinfection has been an accepted practice since the mid-20th century. It has been used primarily in medical sterilization and sterile work facilities. In recent years UVGI has found renewed application in air purifiers.



For human beings and other mammals' exposure to UV-C light can produce rapid sunburn and skin cancer and can produce extremely painful inflammation of the cornea and temporary or permanent vision impairment, up to and including blindness in some cases. Ultraviolet light can damage the retina of the eye. UV-C light can damage and kill plants directly exposed to the light. Consequently, Operators using bulbs that emit UV-C light must follow all applicable safety precautions.

DEVICE USAGE - OPERATION



This device should be used as part of the regular cleaning and disinfection program employed at your facility. It should not be considered a replacement for regular cleaning and disinfection. This device is only effective on surfaces directly exposed to the UV-C light emitted by this device. UV-C light will not penetrate surfaces such as wood, fabric, metal or even opaque or clear materials such as plastic or glass. It is important for the Owner / Operator to consider room configuration and preparation when determining use placement of the device in order to obtain maximum exposure of all surfaces of concern.

This device does not produce any harmful byproducts such as ozone and does not leave any harmful residues.

The device is intended to be used as follows.

- 1.) Only Operators trained to operate this device should use it.
- 2.) Operators should follow all safety precautions noted in this Owner's Manual.



- 3.) **NEVER SHINE THE LIGHT ON PEOPLE, PETS, OR PLANTS.**
- 4.) The Operator must notify personnel in the room / area where the device will be used that sterilization will be performed.
- 5.) Place a "Sterilization in Progress - Do Not Enter" or similarly worded warning sign on each entrance to the room / area to be cleaned. See the WARNING SIGN section.
- 6.) Tomahawk Ultralights are used to sterilize surfaces by killing and/or inactivating microorganisms. This is accomplished by shining the Light on surfaces to be sterilized. Plug in the device and slowly move it over surfaces to be cleaned and keep it between four (4) and eight (8) inches from the surface for maximum effectiveness.

- 7.) Upon completion of sterilization, remove each “Sterilization in Progress - Do Not Enter” warning sign placed on entrances to the room / area to be cleaned.
- 8.) Repeat these steps for each room / area having surfaces that are to be sterilized.
- 9.) When all sterilization work for the shift has been completed, engage the following actions to safely store the device.
 - a.) Unplug the device.
 - b.) Carefully move the device to a secure location to prevent unauthorized usage.
 - c.) If the device is to be stored for an extended period, store it in a manner that will prevent its bulb from being damaged and/or unauthorized usage.

The intensity and effectiveness of the UV-C light emitted by this device are a function of the distance between the Light’s bulb and the surface to be sterilized and the length of time the surface is exposed to the UV-C light. The intensity of the UV-C light multiplied by the time of exposure is the dosage (treatment). Surfaces to be sterilized must be directly exposed to the UV-C light emitted from the device. UV-C light will not penetrate ordinary glass, paper, or cloth. Consequently, the Operator should put careful thought into the use of the Tomahawk Ultralight to ensure the path between the UV-C light source and the surfaces to be sterilized is unobstructed.



Please note that treatment results vary for a variety of operation, atmospheric, and usage conditions. It is recommended that culture tests be conducted to confirm desired results.

USER SERVICING INSTRUCTIONS

The Tomahawk Ultralight is not expected to require any regular maintenance other than replacing the bulb after several hundred hours of operation. The intensity of the light emitted by the bulb can be expected to diminish with time. Adjust exposure time accordingly. Check the bulb to verify it is properly seated in clips on the ballast whenever the bulb is replaced.

The bulb on the Tomahawk Ultralight should be gently and carefully wiped off with a soft clean cotton cloth after every 100 hours of operation to remove dust on the bulb that may reduce the amount of light emitted from the device.



The bulbs in this device are easily damaged. Exercise extreme care when removing, replacing, and wiping off the bulbs. Turn off and unplug the device from the power supply and allow the bulb to cool to room temperature before replacing. The bulb should not be touched with bare hands as oils on the skin will damage it. Skin oils will reduce the performance and lifespan of UV-C bulbs. NEVER LOOK AT ANY UV-C BULB WHEN IT IS POWERED ON AS THE LIGHT EMMITTED BY THE BULB WILL DAMAGE THE EYES!

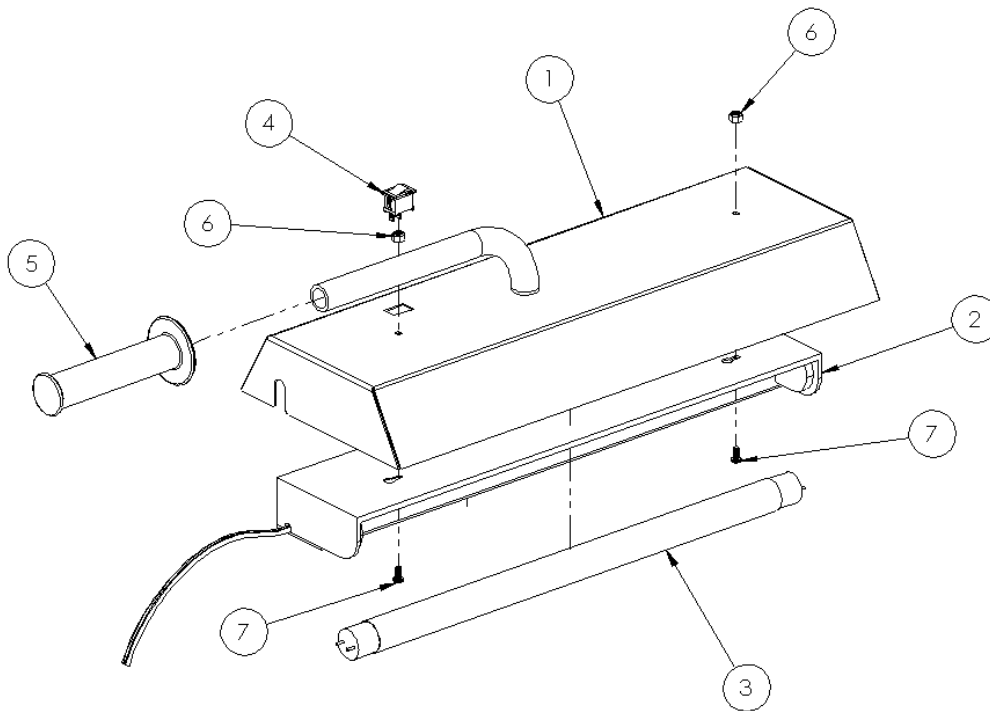
TROUBLESHOOTING

Trouble:	Potential Cause:	Remedy:
Unit will not turn on.	No Power	Check to make sure power cord is plugged in.
		Check to make sure power cord is not damaged.
Unit is buzzing or flickering.	UV-C Bulb	Make sure bulb is seated correctly.
		Check ends of bulb for damage. If damaged or discolored replace the bulb.
		Bulb life may be at an end. Replace bulb.
	Ballast	If device is older than 2 years, or if the device has been utilized for more than 20,000 hours, the ballast may need to be replaced.
If device is new, please contact SafeSpace Solutions Support Line at (713) 830 - 1883.		
Unit is smoking or ends of bulb is burned.	Ballast	Unplug device immediately! In rare cases, a ballast may be defective or has sustained damage. Please call the SafeSpace Solutions Support Line at (713) 830 - 1883.
Bulb is broken.	Bulb	Bulbs are susceptible to breaking if put under physical stress or strain (when removing or installing) or may break if they contact a hard surface. Unplug device, carefully remove all remnants of the broken bulb, inspect the electrical contacts for damage or parts of the bulb and install a new bulb. If the any part of the device has been damaged, contact the SafeSpace Solutions Support Line at (713) 830 - 1883.
Unit is damaged.	Damage	If you feel that this device has been damaged by dropping, in shipping, flood, fire or any other means, please contact the SafeSpace Solutions Support Line at (713) 830 - 1883.
Slight odor is present after sterilization.	Effective Sterilization	Organic particles in the air are diminished when the device is operated. Slight odor is to be expected and is not a cause for alarm.

PARTS LIST AND DIAGRAM

Tomahawk Ultralight (1 18" Bulb)

ITEM NO.	PART NUMBER	DESCRIPTION	QTY.
1	AIS-TAHL-F	TOMAHAWK LIGHT-FRAME	1
2	AIS-18LF	18IN T8 LIGHT FIXTURE	1
3	AIS-TAHL-18LB	18IN UVC T8 BULB	1
4	AIS-TAHL-S	SWITCH	1
5	AIS-UVS-FRH	RUBBER HANDLE	1
6	AIS-TAHL-832LN	8-32 NYLON LOCK NUT	2
7	AIS-TAHL-832375B	8-32 X .375IN BOLT	2



WARNING SIGN



DANGER!
DECONTAMINATION IN PROGRESS
DO NOT ENTER!

CAUTION
UV-C SANITIZER IN USE

This machine emits ultraviolet light in the 200 to 280 nanometer wavelength which can PERMANENTLY DAMAGE HUMAN EYESIGHT. Personnel are prohibited from being in this room/area when the UV-C Sanitizer is in use.

IN NO CIRCUMSTANCE shall anyone ever look at the lamps in the UV-C Sanitizer while it is in operation.

30 DAY LIMITED WARRANTY

Tomahawk products are warranted to be free from defects in materials and workmanship for a period of 30 days from the date of purchase. Use of the product in a manner that fails to conform to the safety guidelines and warnings pertaining to the product can cause potentially serious injuries. User assumes the risk of any use of the product not in strict compliance with all guidelines and warnings. Product should only be used in appropriate equipment designed to operate and constructed for use with such products. Improper or abnormal use, or use in defective equipment, voids all warranty. In the case of defective material or workmanship, Apache Technical Services, Inc. will repair or replace the product, at Apache's sole option. **THE WARRANTY AND REMEDY SET FORTH HEREIN IS EXCLUSIVE AND IS IN LIEU OF ALL OTHER WARRANTIES, EXPRESS OR IMPLIED, INCLUDING ANY IMPLIED WARRANTY OF MERCHANTABILITY OR FITNESS FOR A PARTICULAR PURPOSE AND EXCLUDES ANY OTHER WARRANTY OR REMEDIES.**

Apache neither assumes nor authorizes any other person to assume any other obligation or liability or to grant any additional warranty. You shall not be entitled to recover from Apache any consequential damages, damages to property, damages for loss of use, loss of time, loss of profits or income or any other incidental damages in any way arising out of or connected with the use or misuse of our products.

Some states do not allow the disclaimer of implied warranty. Some states allow only a partial limitation on implied warranties to limit the duration of the implied warranty to the duration of the express warranty. In such states, the duration of implied warranties is hereby expressly limited to the duration of the express warranty on the face hereof. This warranty gives you specific legal rights. You may also have other rights which vary from state to state.

REVISION HISTORY

Revision Number:	Description of Revision(s):	Revised by:	Date Revised:
0	Original Issue	JPhoenix	May 19, 2020
1	Verbiage revised to conform to UL LLC requirements. Email address for Technical Support changed from UVSales@ApacheIP.com to SafeSpaceSolutions@ApacheIP.com.	JPhoenix	October 23, 2020

CONTACT INFORMATION

SafeSpace Solutions Support Line: (713) 830 - 1883
Email: SafeSpaceSolutions@ApacheIP.com

AIRrow 5000 User Manual

Product Information & Overview

www.ApacheSafeSpaceSolutions.com

SafeSpaceSolutions@apacheip.com

713-830-1883

AIRrowSwift 5000

uv-c hvac treatment system

AIRrow 5000 User Manual

- Background
- Setup
- Data Sheet



AIRrow 5000 – Background

The science of the AIRrow 5000 utilizes UV-C technology to clean and disinfect air that passes through the Safe Space device. The AIRrow 5000 is great for small buildings, warehouses, as well as tents, trailers, and other facilities. The UV-C technology eradicates particles and viruses in the air as it passes through the AIRrow 5000 chamber prior to allowing them to circulate through air vents and open areas.

AIRrowSwift 5000

uv-c hvac treatment system

AIRrow 5000 - Setup

Step 1 – Unlocking

There are two small locks protecting the UV-C Chamber.

The combination to the locks is:

281

The Houston area code!



Our team wanted to have a locking mechanism to make sure the device couldn't be opened during operation and therefore students/staff could not be exposed to the UV-C light while the AIRrow 5000 is in operation.

Step 2 – Bulb Installation

Once the UV-C chamber is opened up, the UV-C can be installed.

There are enough bulbs to have one in each fixture.

These bulbs are installed just like the Tomahawk bulbs. A simple insert and turn for the bulb to lock in place.

We recommend the installation of the top bulbs then the bottom bulbs.



Step 3 – Begin Disinfection

After the bulbs are installed the UV-C chamber can be closed back up.

A standard 110 Voltage, three-prong plug can be used to plug in the AIRrow 5000.

AIRrowSwift 5000

uv-c hvac treatment system

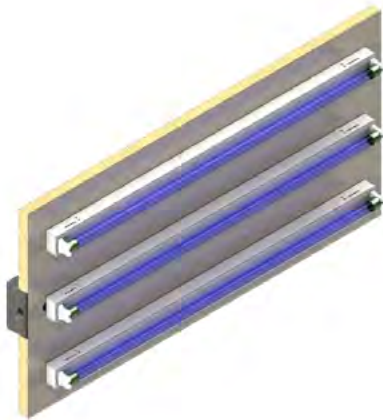
AIRrow 5000 – Specification Information

Dimensions	51" x 33" x 33"
Weight	100 lbs.
Bulb	Twelve 36-inch 30 watt
Total Voltage	110 V / 480 watts / 4.36 amp draw
UV Output	120 watts
Bulb Life	8000 hours
UVC Wavelength	UV-C, 200nm – 280 nm peak 254 nm
Filter	20" x 20" x 1" Elite Allergen Pleated FPR 10 Air Filter
Material	Light weight steel frame
Insulation	Fully encased 1-inch thick closed-cell insulation
Plug	110 – VOH Three – Prong Plug
Air Flow	2,000 cubic feet per minute

AIRrowSwift 6000 UV-C HVAC Treatment Panels

Apache Technical Services develops and delivers engineered products to reduce infinitesimally small risks at the greatest possible scale.

We create safer spaces with advanced technical solutions.



The AIRrowSwift 6000 allows for the easy integration of UV-C decontamination technology into existing HVAC systems through the installation of UV-C panels into air ducts.

Applicable for schools, shopping malls, warehouses, large office buildings, and more, the UV-C panels eradicate microbial threats in the air as it passes through the outfitted ducts.

The AIRrowSwift 6000 destroys dangerous microorganisms in the air.

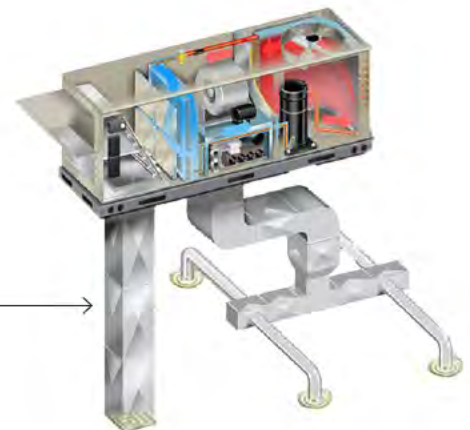
UV-C technology sterilizes air circulating through existing HVAC systems in buildings of all sizes

Panels installed into existing HVAC system ducts

30- Watt Germicidal UV-C Bulbs.

- 3-bulb panels treats up to 4000 ft³ per minute
 - 4-bulb panels treats up to 5500 ft³ per minute
-

Installed Here →



All SafeSpace products are available for PURCHASE and FULL-SERVICE DELIVERY from Apache Technical Services.

Contact us today:
832.683.8490 • rstahl@apacheip.com

www.apacheip.com

apache technical services
a division of apache industrial services

Tab 9 – Required Documents

- ◆ Clean Air and Water Act / Debarment Notice
- ◆ Contractors Requirements
- ◆ Antitrust Certification Statements
- ◆ Required Clauses for Federal Funds Certifications
- ◆ Required Clauses for Federal Assistance by FTA
- ◆ State Notice Addendum

Clean Air and Water Act & Debarment Notice

I, the Vendor, am in compliance with all applicable standards, orders or regulations issued pursuant to the Clean Air Act of 1970, as Amended (42 U.S. C. 1857 (h), Section 508 of the Clean Water Act, as amended (33 U.S.C. 1368), Executive Order 117389 and Environmental Protection Agency Regulation, 40 CFR Part 15 as required under OMB Circular A-102, Attachment O, Paragraph 14 (1) regarding reporting violations to the grantor agency and to the United States Environment Protection Agency Assistant Administrator for the Enforcement.

I hereby further certify that my company has not been debarred, suspended or otherwise ineligible for participation in Federal Assistance programs under Executive Order 12549, "Debarment and Suspension", as described in the Federal Register and Rules and Regulations

Potential Vendor	Apache SafeSpace Solutions, A Division of Apache Industrial Services, Inc.
Print Name	Courtney Liggett
Address	250 Assay St. Suite 500
City, State, Zip	Houston, TX 77044
Authorized signature	<i>Courtney Liggett</i>
Date	3/25/2021

Contractor Requirements

Contractor Certification Contractor's Employment Eligibility

By entering the contract, Contractor warrants compliance with the Federal Immigration and Nationality Act (FINA), and all other federal and state immigration laws and regulations. The Contractor further warrants that it is in compliance with the various state statutes of the states it is will operate this contract in.

Participating Government Entities including School Districts may request verification of compliance from any Contractor or subcontractor performing work under this Contract. These Entities reserve the right to confirm compliance in accordance with applicable laws.

Should the Participating Entities suspect or find that the Contractor or any of its subcontractors are not in compliance, they may pursue any and all remedies allowed by law, including, but not limited to: suspension of work, termination of the Contract for default, and suspension and/or debarment of the Contractor. All costs necessary to verify compliance are the responsibility of the Contractor.

The offeror complies and maintains compliance with the appropriate statutes which requires compliance with federal immigration laws by State employers, State contractors and State subcontractors in accordance with the E-Verify Employee Eligibility Verification Program.

Contractor shall comply with governing board policy of the NCPA Participating entities in which work is being performed

Fingerprint & Background Checks

If required to provide services on school district property at least five (5) times during a month, contractor shall submit a full set of fingerprints to the school district if requested of each person or employee who may provide such service. Alternately, the school district may fingerprint those persons or employees. An exception to this requirement may be made as authorized in Governing Board policy. The district shall conduct a fingerprint check in accordance with the appropriate state and federal laws of all contractors, subcontractors or vendors and their employees for which fingerprints are submitted to the district. Contractor, subcontractors, vendors and their employees shall not provide services on school district properties until authorized by the District.

The offeror shall comply with fingerprinting requirements in accordance with appropriate statutes in the state in which the work is being performed unless otherwise exempted.

Contractor shall comply with governing board policy in the school district or Participating Entity in which work is being performed

Business Operations in Sudan, Iran

In accordance with A.R.S. 35-391 and A.R.S. 35-393, the Contractor hereby certifies that the contractor does not have scrutinized business operations in Sudan and/or Iran.

Authorized signature

Courtney Liggett

Date

3/25/2021

Antitrust Certification Statements (Tex. Government Code § 2155.005)

I affirm under penalty of perjury of the laws of the State of Texas that:

(1) I am duly authorized to execute this contract on my own behalf or on behalf of the company, corporation, firm, partnership or individual (Company) listed below;

(2) In connection with this bid, neither I nor any representative of the Company has violated any provision of the Texas Free Enterprise and Antitrust Act, Tex. Bus. & Comm. Code Chapter 15;

(3) In connection with this bid, neither I nor any representative of the Company has violated any federal antitrust law; and

(4) Neither I nor any representative of the Company has directly or indirectly communicated any of the contents of this bid to a competitor of the Company or any other company, corporation, firm, partnership or individual engaged in the same line of business as the Company.

Company name	<u>Apache SafeSpace Solutions, A Division of Apache Industrial Services, Inc.</u>
Address	<u>250 Assay St. Suite 500</u>
City/State/Zip	<u>Houston, TX 77044</u>
Telephone No.	<u>713-450-9307</u>
Fax No.	<u>713-450-2447</u>
Email address	<u>CLiggett@apacheip.com</u>
Printed name	<u>Courtney Liggett</u>
Position with company	<u>Account Manager</u>
Authorized signature	<u><i>Courtney Liggett</i></u>

Required Clauses for Federal Funds Certifications

Participating Agencies may elect to use federal funds to purchase under the Master Agreement. The following certifications and provisions may be required and apply when a Participating Agency expends federal funds for any purchase resulting from this procurement process. Pursuant to 2 C.F.R. § 200.326, all contracts, including small purchases, awarded by the Participating Agency and the Participating Agency's subcontractors shall contain the procurement provisions of Appendix II to Part 200, as applicable.

APPENDIX II TO 2 CFR PART 200

(A) Contracts for more than the simplified acquisition threshold currently set at \$150,000, which is the inflation adjusted amount determined by the Civilian Agency Acquisition Council and the Defense Acquisition Regulations Council (Councils) as authorized by 41 U.S.C. 1908, must address administrative, contractual, or legal remedies in instances where contractors violate or breach contract terms, and provide for such sanctions and penalties as appropriate.

(B) Termination for cause and for convenience by the grantee or subgrantee including the manner by which it will be effected and the basis for settlement. (All contracts in excess of \$10,000)

(C) Equal Employment Opportunity. Except as otherwise provided under 41 CFR Part 60, all contracts that meet the definition of "federally assisted construction contract" in 41 CFR Part 60-1.3 must include the equal opportunity clause provided under 41 CFR 60-1.4(b), in accordance with Executive Order 11246, "Equal Employment Opportunity" (30 CFR 12319, 12935, 3 CFR Part, 1964-1965 Comp., p. 339), as amended by Executive Order 11375, "Amending Executive Order 11246 Relating to Equal Employment Opportunity," and implementing regulations at 41 CFR part 60, "Office of Federal Contract Compliance Programs, Equal Employment Opportunity, Department of Labor."

Pursuant to Federal Rule (C) above, when a Participating Agency expends federal funds on any federally assisted construction contract, the equal opportunity clause is incorporated by reference herein.

(D) Davis-Bacon Act, as amended (40 U.S.C. 3141-3148). When required by Federal program legislation, all prime construction contracts in excess of \$2,000 awarded by non-Federal entities must include a provision for compliance with the Davis-Bacon Act (40 U.S.C. 3141-3144, and 3146-3148) as supplemented by Department of Labor regulations (29 CFR Part 5, "Labor Standards Provisions Applicable to Contracts Covering Federally Financed and Assisted Construction"). In accordance with the statute, contractors must be required to pay wages to laborers and mechanics at a rate not less than the prevailing wages specified in a wage determination made by the Secretary of Labor. In addition, contractors must be required to pay wages not less than once a week. The non-Federal entity must place a copy of the current prevailing wage determination issued by the Department of Labor in each solicitation. The decision to award a contract or subcontract must be conditioned upon the acceptance of the wage determination. The non-Federal entity must report all suspected or reported violations to the Federal awarding agency. The contracts must also include a provision

for compliance with the Copeland "Anti-Kickback" Act (40 U.S.C. 3145), as supplemented by Department of Labor regulations (29 CFR Part 3, "Contractors and Subcontractors on Public Building or Public Work Financed in Whole or in Part by Loans or Grants from the United States"). The Act provides that each contractor or subrecipient must be prohibited from inducing, by any means, any person employed in the construction, completion, or repair of public work, to give up any part of the compensation to which he or she is otherwise entitled. The non-Federal entity must report all suspected or reported violations to the Federal awarding agency.

(E) Contract Work Hours and Safety Standards Act (40 U.S.C. 3701-3708). Where applicable, all contracts awarded by the non-Federal entity in excess of \$100,000 that involve the employment of mechanics or laborers must include a provision for compliance with 40 U.S.C. 3702 and 3704, as supplemented by Department of Labor regulations (29 CFR Part 5). Under 40 U.S.C. 3702 of the Act, each contractor must be required to compute the wages of every mechanic and laborer on the basis of a standard work week of 40 hours. Work in excess of the standard work week is permissible provided that the worker is compensated at a rate of not less than one and a half times the basic rate of pay for all hours worked in excess of 40 hours in the work week. The requirements of 40 U.S.C. 3704 are applicable to construction work and provide that no laborer or mechanic must be required to work in surroundings or under working conditions which are unsanitary, hazardous or dangerous. These requirements do not apply to the purchases of supplies or materials or articles ordinarily available on the open market, or contracts for transportation or transmission of intelligence.

(F) Rights to Inventions Made Under a Contract or Agreement. If the Federal award meets the definition of "funding agreement" under 37 CFR §401.2 (a) and the recipient or subrecipient wishes to enter into a contract with a small business firm or nonprofit organization regarding the substitution of parties, assignment or performance of experimental, developmental, or research work under that "funding agreement," the recipient or subrecipient must comply with the requirements of 37 CFR Part 401, "Rights to Inventions Made by Nonprofit Organizations and Small Business Firms Under Government Grants, Contracts and Cooperative Agreements," and any implementing regulations issued by the awarding agency.

(G) Clean Air Act (42 U.S.C. 7401-7671q.) and the Federal Water Pollution Control Act (33 U.S.C. 1251-1387), as amended— Contracts and subgrants of amounts in excess of \$150,000 must contain a provision that requires the non-Federal award to agree to comply with all applicable standards, orders or regulations issued pursuant to the Clean Air Act (42 U.S.C. 7401- 7671q) and the Federal Water Pollution Control Act as amended (33 U.S.C. 1251- 1387). Violations must be reported to the Federal awarding agency and the Regional Office of the Environmental Protection Agency (EPA).

(H) Debarment and Suspension (Executive Orders 12549 and 12689)—A contract award (see 2 CFR 180.220) must not be made to parties listed on the government wide exclusions in the System for Award Management (SAM), in accordance with the OMB guidelines at 2 CFR 180 that implement Executive Orders 12549 (3 CFR part 1986 Comp., p. 189) and 12689 (3 CFR part 1989 Comp., p. 235), "Debarment and Suspension." SAM Exclusions contains the names of parties debarred, suspended, or otherwise excluded by agencies, as well as parties declared ineligible under statutory or regulatory authority other than Executive Order 12549.

(I) Byrd Anti-Lobbying Amendment (31 U.S.C. 1352)—Contractors that apply or bid for an award exceeding \$100,000 must file the required certification. Each tier certifies to the tier above that it will not and has not used Federal appropriated funds to pay any person or organization for influencing or attempting to influence an officer or employee

of any agency, a member of Congress, officer or employee of Congress, or an employee of a member of Congress in connection with obtaining any Federal contract, grant or any other award covered by 31 U.S.C. 1352. Each tier must also disclose any lobbying with non-Federal funds that takes place in connection with obtaining any Federal award. Such disclosures are forwarded from tier to tier up to the non-Federal award.

RECORD RETENTION REQUIREMENTS FOR CONTRACTS INVOLVING FEDERAL FUNDS

When federal funds are expended by Participating Agency for any contract resulting from this procurement process, offeror certifies that it will comply with the record retention requirements detailed in 2 CFR § 200.333. The offeror further certifies that offeror will retain all records as required by 2 CFR § 200.333 for a period of three years after grantees or subgrantees submit final expenditure reports or quarterly or annual financial reports, as applicable, and all other pending matters are closed.

CERTIFICATION OF COMPLIANCE WITH THE ENERGY POLICY AND CONSERVATION ACT

When Participating Agency expends federal funds for any contract resulting from this procurement process, offeror certifies that it will comply with the mandatory standards and policies relating to energy efficiency which are contained in the state energy conservation plan issued in compliance with the Energy Policy and Conservation Act (42 U.S.C. 6321 et seq.; 49 C.F.R. Part 18).

CERTIFICATION OF COMPLIANCE WITH BUY AMERICA PROVISIONS

To the extent purchases are made with Federal Highway Administration, Federal Railroad Administration, or Federal Transit Administration funds, offeror certifies that its products comply with all applicable provisions of the Buy America Act and agrees to provide such certification or applicable waiver with respect to specific products to any Participating Agency upon request. Purchases made in accordance with the Buy America Act must still follow the applicable procurement rules calling for free and open competition.

Required Clauses for Federal Assistance provided by FTA

ACCESS TO RECORDS AND REPORTS

Contractor agrees to:

- a) Maintain all books, records, accounts and reports required under this Contract for a period of not less than three (3) years after the date of termination or expiration of this Contract or any extensions thereof except in the event of litigation or settlement of claims arising from the performance of this Contract, in which case Contractor agrees to maintain same until Public Agency, the FTA Administrator, the Comptroller General, or any of their duly authorized representatives, have disposed of all such litigation, appeals, claims or exceptions related thereto.
- b) Permit any of the foregoing parties to inspect all work, materials, payrolls, and other data and records with regard to the Project, and to audit the books, records, and accounts with regard to the Project and to reproduce by any means whatsoever or to copy excerpts and transcriptions as reasonably needed for the purpose of audit and examination.

FTA does not require the inclusion of these requirements of Article 1.01 in subcontracts. Reference 49 CFR 18.39 (i)(11).

CIVIL RIGHTS / TITLE VI REQUIREMENTS

- 1) Non-discrimination. In accordance with Title VI of the Civil Rights Act of 1964, as amended, 42 U.S.C. § 2000d, Section 303 of the Age Discrimination Act of 1975, as amended, 42 U.S.C. § 6102, Section 202 of the Americans with Disabilities Act of 1990, as amended, 42 U.S.C. § 12132, and Federal Transit Law at 49 U.S.C. § 5332, Contractor or subcontractor agrees that it will not discriminate against any employee or applicant for employment because of race, color, creed, national origin, sex, marital status age, or disability. In addition, Contractor agrees to comply with applicable Federal implementing regulations and other implementing requirements FTA may issue.
- 2) Equal Employment Opportunity. The following Equal Employment Opportunity requirements apply to this Contract:
 - a. Race, Color, Creed, National Origin, Sex. In accordance with Title VII of the Civil Rights Act, as amended, 42 U.S.C. § 2000e, and Federal Transit Law at 49 U.S.C. § 5332, the Contractor agrees to comply with all applicable Equal Employment Opportunity requirements of U.S. Dept. of Labor regulations, "Office of Federal Contract Compliance Programs, Equal Employment Opportunity, Department of Labor, 41 CFR, Parts 60 et seq., and with any applicable Federal statutes, executive orders, regulations, and Federal policies that may in the future affect construction activities undertaken in the course of this Project. Contractor agrees to take affirmative action to ensure that applicants are employed, and that employees are treated during employment, without regard to their race, color, creed, national origin, sex, marital status, or age. Such action shall include, but not be limited to, the following: employment, upgrading, demotion or transfer, recruitment or recruitment advertising, layoff or termination, rates of pay or other forms of compensation; and selection for training, including apprenticeship. In addition, Contractor agrees to comply with any implementing requirements FTA may issue.
 - b. Age. In accordance with the Age Discrimination in Employment Act (ADEA) of 1967, as amended, 29 U.S.C. Sections 621 through 634, and Equal Employment Opportunity Commission (EEOC) implementing regulations, "Age Discrimination in Employment Act", 29 CFR Part 1625, prohibit employment discrimination by Contractor against individuals on the basis of age, including present and prospective

employees. In addition, Contractor agrees to comply with any implementing requirements FTA may issue.

- c. Disabilities. In accordance with Section 102 of the Americans with Disabilities Act of 1990, as amended (ADA), 42 U.S.C. Sections 12101 *et seq.*, prohibits discrimination against qualified individuals with disabilities in programs, activities, and services, and imposes specific requirements on public and private entities. Contractor agrees that it will comply with the requirements of the Equal Employment Opportunity Commission (EEOC), "Regulations to Implement the Equal Employment Provisions of the Americans with Disabilities Act," 29 CFR, Part 1630, pertaining to employment of persons with disabilities and with their responsibilities under Titles I through V of the ADA in employment, public services, public accommodations, telecommunications, and other provisions.
 - d. Segregated Facilities. Contractor certifies that their company does not and will not maintain or provide for their employees any segregated facilities at any of their establishments, and that they do not and will not permit their employees to perform their services at any location under the Contractor's control where segregated facilities are maintained. As used in this certification the term "segregated facilities" means any waiting rooms, work areas, restrooms and washrooms, restaurants and other eating areas, parking lots, drinking fountains, recreation or entertainment areas, transportation, and housing facilities provided for employees which are segregated by explicit directive or are in fact segregated on the basis of race, color, religion or national origin because of habit, local custom, or otherwise. Contractor agrees that a breach of this certification will be a violation of this Civil Rights clause.
- 3) Solicitations for Subcontracts, Including Procurements of Materials and Equipment. In all solicitations, either by competitive bidding or negotiation, made by Contractor for work to be performed under a subcontract, including procurements of materials or leases of equipment, each potential subcontractor or supplier shall be notified by Contractor of Contractor's obligations under this Contract and the regulations relative to non-discrimination on the grounds of race, color, creed, sex, disability, age or national origin.
 - 4) Sanctions of Non-Compliance. In the event of Contractor's non-compliance with the non-discrimination provisions of this Contract, Public Agency shall impose such Contract sanctions as it or the FTA may determine to be appropriate, including, but not limited to: 1) Withholding of payments to Contractor under the Contract until Contractor complies, and/or; 2) Cancellation, termination or suspension of the Contract, in whole or in part.

Contractor agrees to include the requirements of this clause in each subcontract financed in whole or in part with Federal assistance provided by FTA, modified only if necessary to identify the affected parties.

DISADVANTAGED BUSINESS PARTICIPATION

This Contract is subject to the requirements of Title 49, Code of Federal Regulations, Part 26, "*Participation by Disadvantaged Business Enterprises in Department of Transportation Financial Assistance Programs*", therefore, it is the policy of the Department of Transportation (DOT) to ensure that Disadvantaged Business Enterprises (DBEs), as defined in 49 CFR Part 26, have an equal opportunity to receive and participate in the performance of DOT-assisted contracts.

- 1) Non-Discrimination Assurances. Contractor or subcontractor shall not discriminate on the basis of race, color, national origin, or sex in the performance of this Contract. Contractor shall carry out all applicable requirements of 49 CFR Part 26 in the award and administration of DOT-assisted contracts. Failure by Contractor to carry out these requirements is a material breach of this Contract, which may result in the termination of this Contract or other such remedy as public agency deems appropriate. Each subcontract Contractor signs with a subcontractor must include the assurance in this paragraph. (See 49 CFR 26.13(b)).

- 2) **Prompt Payment.** Contractor is required to pay each subcontractor performing Work under this prime Contract for satisfactory performance of that work no later than thirty (30) days after Contractor's receipt of payment for that Work from public agency. In addition, Contractor is required to return any retainage payments to those subcontractors within thirty (30) days after the subcontractor's work related to this Contract is satisfactorily completed and any liens have been secured. Any delay or postponement of payment from the above time frames may occur only for good cause following written approval of public agency. This clause applies to both DBE and non-DBE subcontractors. Contractor must promptly notify public agency whenever a DBE subcontractor performing Work related to this Contract is terminated or fails to complete its Work, and must make good faith efforts to engage another DBE subcontractor to perform at least the same amount of work. Contractor may not terminate any DBE subcontractor and perform that Work through its own forces, or those of an affiliate, without prior written consent of public agency.
- 3) **DBE Program.** In connection with the performance of this Contract, Contractor will cooperate with public agency in meeting its commitments and goals to ensure that DBEs shall have the maximum practicable opportunity to compete for subcontract work, regardless of whether a contract goal is set for this Contract. Contractor agrees to use good faith efforts to carry out a policy in the award of its subcontracts, agent agreements, and procurement contracts which will, to the fullest extent, utilize DBEs consistent with the efficient performance of the Contract.

ENERGY CONSERVATION REQUIREMENTS

Contractor agrees to comply with mandatory standards and policies relating to energy efficiency which are contained in the State energy conservation plans issued under the Energy Policy and Conservation Act, as amended, 42 U.S.C. Sections 6321 *et seq.* and 41 CFR Part 301-10.

FEDERAL CHANGES

Contractor shall at all times comply with all applicable FTA regulations, policies, procedures and directives, including without limitation those listed directly or by reference in the Contract between public agency and the FTA, as they may be amended or promulgated from time to time during the term of this contract. Contractor's failure to so comply shall constitute a material breach of this Contract.

INCORPORATION OF FEDERAL TRANSIT ADMINISTRATION (FTA) TERMS

The provisions include, in part, certain Standard Terms and Conditions required by the U.S. Department of Transportation (DOT), whether or not expressly set forth in the preceding Contract provisions. All contractual provisions required by the DOT, as set forth in the most current FTA Circular 4220.1F, dated November 1, 2008, are hereby incorporated by reference. Anything to the contrary herein notwithstanding, all FTA mandated terms shall be deemed to control in the event of a conflict with other provisions contained in this Contract. Contractor agrees not to perform any act, fail to perform any act, or refuse to comply with any public agency requests that would cause public agency to be in violation of the FTA terms and conditions.

NO FEDERAL GOVERNMENT OBLIGATIONS TO THIRD PARTIES

Agency and Contractor acknowledge and agree that, absent the Federal Government's express written consent and notwithstanding any concurrence by the Federal Government in or approval of the solicitation or award of the underlying Contract, the Federal Government is not a party to this Contract and shall not be subject to any obligations or liabilities to agency, Contractor, or any other party (whether or not a party to that contract) pertaining to any matter resulting from the underlying Contract.

Contractor agrees to include the above clause in each subcontract financed in whole or in part with federal assistance provided by the FTA. It is further agreed that the clause shall not be modified, except to identify the subcontractor who will be subject to its provisions.

PROGRAM FRAUD AND FALSE OR FRAUDULENT STATEMENTS

Contractor acknowledges that the provisions of the Program Fraud Civil Remedies Act of 1986, as amended, 31 U.S.C. §§ 3801 et seq. and U.S. DOT regulations, "Program Fraud Civil Remedies," 49 CFR Part 31, apply to its actions pertaining to this Contract. Upon execution of the underlying Contract, Contractor certifies or affirms the truthfulness and accuracy of any statement it has made, it makes, it may make, or causes to be made, pertaining to the underlying Contract or the FTA assisted project for which this Contract Work is being performed.

In addition to other penalties that may be applicable, Contractor further acknowledges that if it makes, or causes to be made, a false, fictitious, or fraudulent claim, statement, submission, or certification, the Federal Government reserves the right to impose the penalties of the Program Fraud Civil Remedies Act of 1986 on Contractor to the extent the Federal Government deems appropriate.

Contractor also acknowledges that if it makes, or causes to be made, a false, fictitious, or fraudulent claim, statement, submission, or certification to the Federal Government under a contract connected with a project that is financed in whole or in part with Federal assistance originally awarded by FTA under the authority of 49 U.S.C. § 5307, the Government reserves the right to impose the penalties of 18 U.S.C. § 1001 and 49 U.S.C. § 5307 (n)(1) on the Contractor, to the extent the Federal Government deems appropriate.

Contractor agrees to include the above clauses in each subcontract financed in whole or in part with Federal assistance provided by FTA. It is further agreed that the clauses shall not be modified, except to identify the subcontractor who will be subject to the provisions.

State Notice Addendum

The National Cooperative Purchasing Alliance (NCPA), on behalf of NCPA and its current and potential participants to include all county, city, special district, local government, school district, private K-12 school, higher education institution, state, tribal government, other government agency, healthcare organization, nonprofit organization and all other Public Agencies located nationally in all fifty states, issues this Request for Proposal (RFP) to result in a national contract.

For your reference, the links below include some, but not all, of the entities included in this proposal:

http://www.usa.gov/Agencies/State_and_Territories.shtml

<https://www.usa.gov/local-governments>

Tab 8 – Value Added Products and Services

Apache SafeSpace Solutions is fully committed to creating custom solutions for any requirement. Our team of engineers is onsite with capabilities and knowledge to adapt our product line to meet the needs and wants of the end user.

We will always work diligently to exceed the expectations of the customer, while operating with the highest integrity.

We fully stand behind our products and will communicate thoroughly with customers during the order process. We are consumers too, and we understand the importance of receiving a quality product, at an affordable price in a timely and efficient manner.