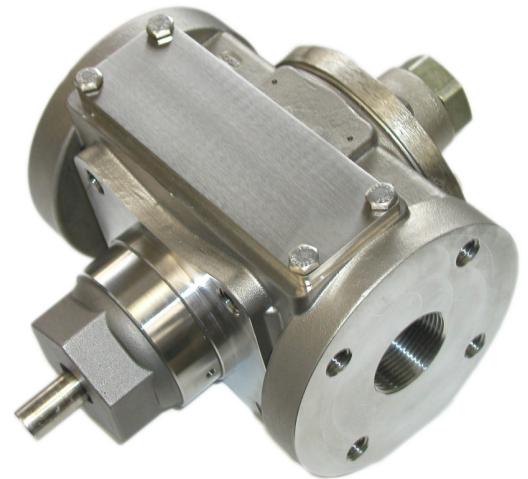


US SERIES STAINLESS STEEL
ROTARY GEAR PUMPS
SIZES 6, 7, 8, 9, 10, 15, and 20 GPM

Haight Pump continues its tradition of supplying customers with rugged, reliable, and innovative pumps. For our stainless steel pumps, we've combined our versatile DIU Ductile Iron Universal Series pump design with stainless steel and corrosion resistant materials.

KEY FEATURES

- Gear within a gear design for quiet operation
- Built-in gear reduction, fully supported, through-shaft design, uses standard motor speeds
- UniverSeal built-in shaft seal flexibility
- Only two moving parts reduces maintenance and wear
- Close coupled or foot mounted bracket designs
- Readily accepts magnetic drive option
- Inlet/outlet ports accept 1", 1.25", and 1.50" NPT and 150# flange connections
- 250 psi discharge pressure capability
- Non-metallic rotor eliminates galling problems, even with thin fluids including water
- Integral relief valve with no-leak adjustment and tank return operation capability



STANDARD CONSTRUCTION FEATURES

- 316L (CF3M) stainless steel housing for maximum corrosion resistance
- Waukesha 88 pinion gear and 440C hardened polished shaft assembly
- Delrin AF rotor gear
- Carbon graphite shaft sleeve bearings
- Viton elastomer

OPTIONS

- Alternate shaft seal and o-ring elastomer materials - neoprene, silicone, Teflon, or Kalrez
- PTFE Teflon rotor gear
- Teflon or Vespel shaft sleeve bearings
- 316L integral relief valve up to 230 psi
- Magnetic drive and barrier seal available on all models

Additional brackets for close coupled mountings are available for motor frames up to 256TC. See Mounting Options at haightpump.com.



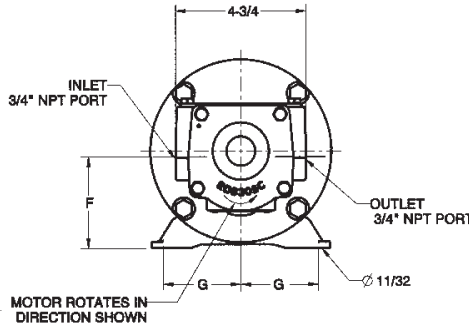
APPLICATIONS

- Chemical Processing • Pharmaceutical
- Wastewater Treatment • Textile • Plastic
- Tanning • Soap • Rubber • Plating • Photographic
- Injection and transfer of acidic, corrosive fluids, and solvents

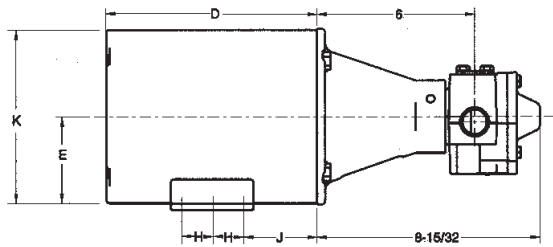
HAIGHT PUMP
133 ENTERPRISE ST
EVANSVILLE, WI 53536
800-871-9250 • FAX 608-882-3777
WWW.HAIGHTPUMP.COM

Z56RO Bracket for 6-9 GPM Universal Stainless Series Round Hub Pumps

Frame	D	E	F	G	H	J	K
48	9-3/8	3	2-13/16	2-1/8	1-3/8	2-5/16	5-13/16
56	9-3/4	3-1/2	3-5/16	2-7/16	1-1/2	2-9/16	6-3/4



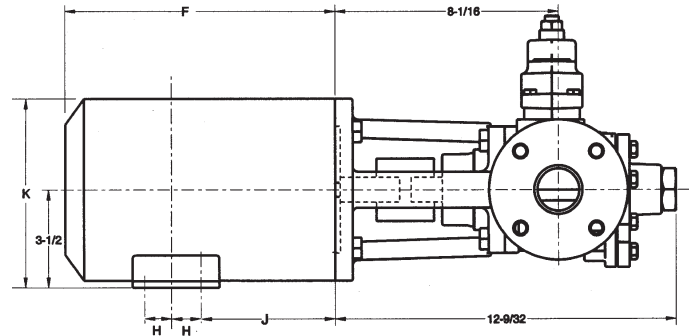
FRONT VIEW



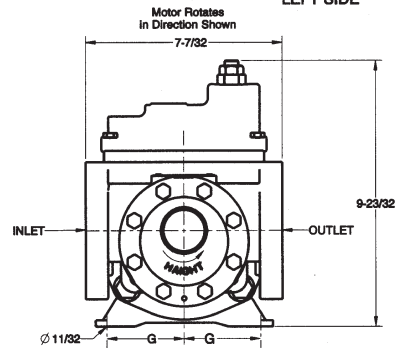
LEFT SIDE

Z56SO Bracket For 10-40 GPM Square Flanged Pumps

Frame	F	G	H	J	K
56	9-3/4	2-7/16	1-1/2	2-9/16	6-3/4
143	10	2-3/4	2-1/2	2-3/4	6-13/16

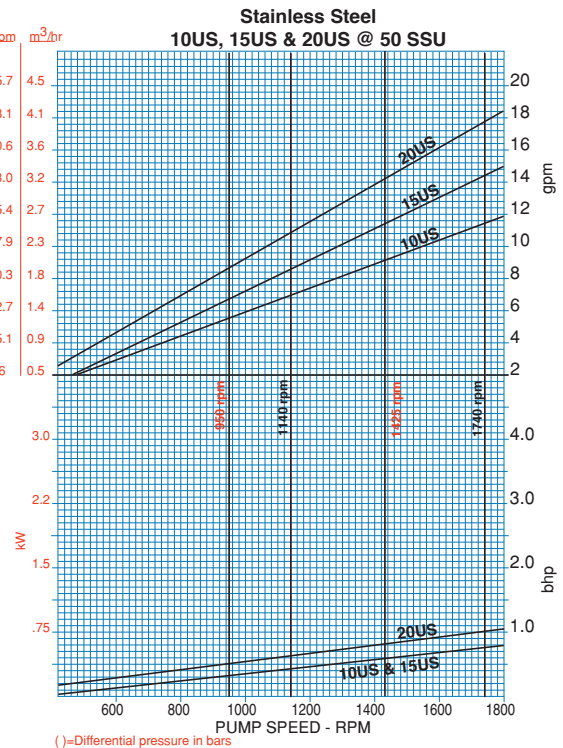
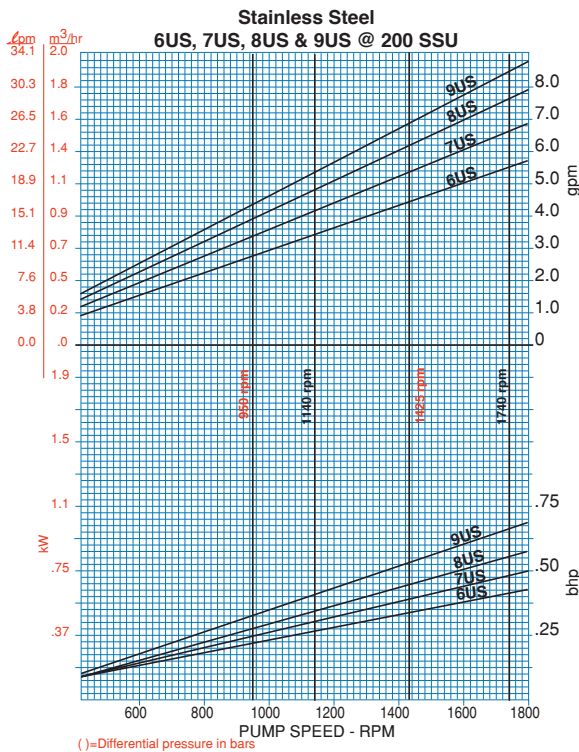


LEFT SIDE



FRONT VIEW

Additional brackets for close coupled mountings are available for motor frames up to 256TC. See Mounting Options at haightpump.com.



Performance curves for reference only.