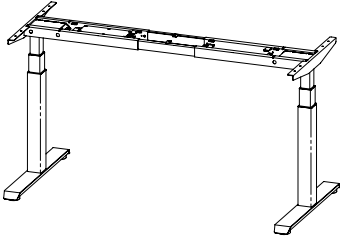

Activ Pro 2.0

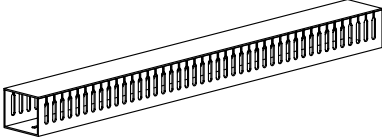
Height Adjustable Bases



Statement of Line

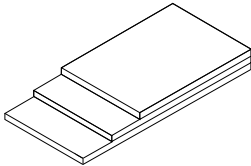


Activ-Pro 2.0
dual motor, available with 2- or 3-stage
legs in T or C foot style



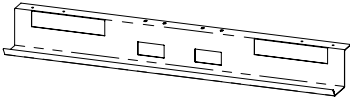
Integrated Wire Management

Worksurfaces

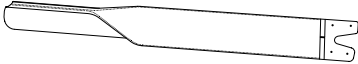


Linear

Accessories



Wire Tray



Soft Cable Management

Finishes

Base

F1 Platinum	F2 White	F3 Black	F4 Merle
----------------	-------------	-------------	-------------

Worksurface

2L84 Milk White	2L30 Arctic White	2L83 Seagull	2LAW Ash Wenge	2LCW Clay Wenge
2LCN Clay Noce	2LAT Acacia	2LAK Clear Oak	2L09 Clear Maple	26L1 Natural Cherry
24L0 Graphite Walnut	25L5 Virginia Walnut	25L8 Clear Walnut		

Worksurface



Base

Specifications

2-Stage Legs

Active Consumption	Max 350W and Max 5A
ANSI BIFMA	X5.5
Base Weight Without Top	66 lbs
Decibel Rating	50db \leq
Finishes	Platinum, White, Black and Merle
Foot Length in Inches	23.5" and 27.5" for 23/24" and 29/30" deep worksurfaces
Frame Width Expansion	width extendable 44"-72" in 1mm increments
Gauge of Steel	2mm for inner tube and 1.5mm for outer tube
Green Certification	SCS Gold
Handset	Push button with 4 programmable settings
Height Range (excluding top)	26.3" - 46"
Height Range (including top)	27.3" - 47"
Leg Diameter	2.75" x 2.75"
Legs	2 stage, available with T or C Leg
Max Lifting Capacity	225 lbs
Power Cord	9' cord length with standard NEMA 3 prong plug
Safety	Obstruction detection technology
Speed	33mm/s
Standby Consumption	.2W
Total Stroke	500 mm
UL	UL962
Worksurface Depths	23", 24", 29" and 30"
Worksurface Widths	46", 48", 52", 54", 58", 60", 64", 66", 70" and 72"

Specifications

3-Stage Legs

Active Consumption	Max 350W and Max 5A
ANSI BIFMA	X5.5
Base Weight Without Top	72 lbs
Decibel Rating	50db \leq
Finishes	Platinum, White, Black and Merle
Foot Length in Inches	23.5" and 27.5" for 23/24" and 29/30" deep worksurfaces
Frame Width Expansion	width extendable 44"-72" in 1mm increments
Gauge of Steel	2mm
Green Certification	SCS Gold
Handset	Push button with 4 programmable settings
Height Range (excluding top)	21.6" - 47.7"
Height Range (including top)	22.6" - 48.7"
Leg Diameter	2.75" x 2.75"
Legs	3 stage, available with T or C Leg
Max Lifting Capacity	250 lbs
Power Cord	9' cord length with standard NEMA 3 prong plug
Safety	Obstruction detection technology
Speed	38mm/s
Standby Consumption	.2W
Total Stroke	650 mm
UL	UL962
Worksurface Depths	23", 24", 29", and 30"
Worksurface Widths	46", 48", 52", 54", 58", 60", 64", 66", 70" and 72"

Features



Choose 2 or 3 stage legs with T or C foot style



Integrated Wire Management



Seamless integration with Iline



Standard handsets with 4 memory presets



Complete workstations: privacy screens, monitor arms, cable management, storage and seating

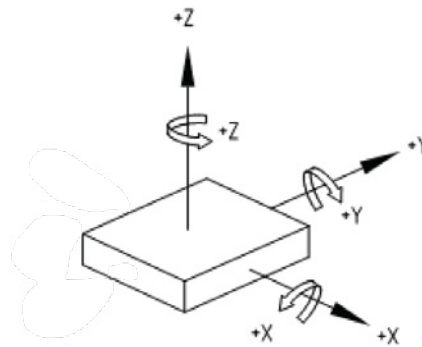


Two foot lengths support 23", 24", 29" and 30" deep worksurfaces

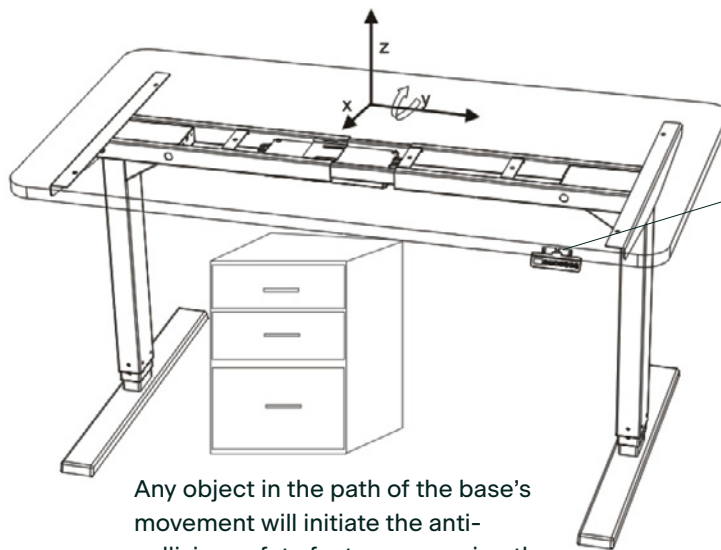
Gyroscope / Anti-Collision Technology

Activ bases have built-in gyroscope sensors in their control boxes which can detect angle and speed changes on three axis, triggering the anti-collision safety feature. When activated, bases reverse direction for 2 seconds before stopping.

Reaction Time: 50ms-600ms



Gyro anti-collision technology senses changes on 3 axis



Sensor technology located in Activ control boxes

Any object in the path of the base's movement will initiate the anti-collision safety feature, reversing the direction of the base for 2 seconds

Product Information

Installation Time

< 20 minutes per base, including worksurface

Care & Maintenance Instructions

Wipe with a damp cloth using water or gentle, nonabrasive cleaner. For guaranteed safety, patch test with diluted cleaner before wiping entire surface. Wipe dry with a clean cloth.

Warranty

10 years, including parts and approved labor.

Certifications

ANSI/BIFMA X5.5-2014
Indoor Advantage Gold™

